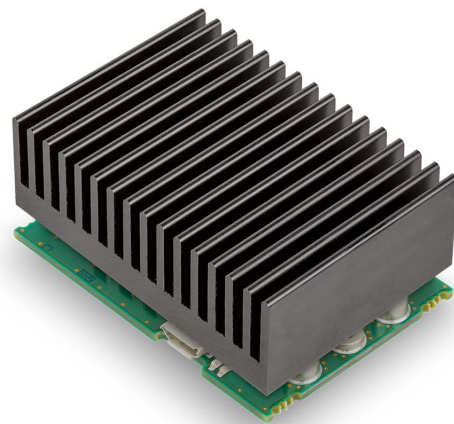
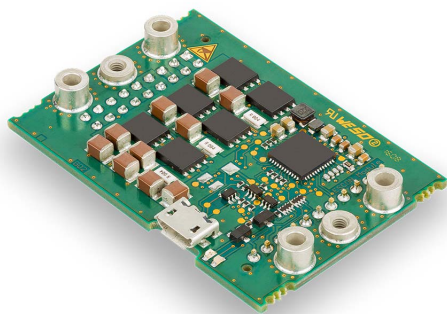


# ESCON Module 50/8

# ESCON Module 50/8 HE

Hardware Reference



## TABLE OF CONTENTS

1	About	3
	1.1 About this Document . . . . .	3
	1.2 About the Device . . . . .	5
	1.3 About the Safety Precautions . . . . .	6
2	Specifications	7
	2.1 Technical Data . . . . .	7
	2.2 Thermal Data . . . . .	9
	2.3 Limitations . . . . .	10
	2.4 Dimensional Drawings . . . . .	11
	2.5 Standards . . . . .	12
3	Setup	13
	3.1 Generally applicable Rules . . . . .	13
	3.2 Configuration of Power Supply . . . . .	14
	3.3 Connections . . . . .	15
	3.4 Status Indicators . . . . .	26
4	Wiring	27
	4.1 DC Motors . . . . .	27
	4.2 EC Motors . . . . .	30
5	Motherboard Design Guide	33
	5.1 Requirements for Components of Third-party Suppliers . . . . .	34
	5.2 Design Guidelines . . . . .	37
	5.3 THT Footprint . . . . .	37
	5.4 Pin Assignment . . . . .	38
	5.5 Technical Data . . . . .	38
	5.6 Dimensional Drawing . . . . .	38
	5.7 ESCON Module 50/8 Motherboard (586048) . . . . .	38
	5.8 Spare Parts . . . . .	52

### READ THIS FIRST

***These instructions are intended for qualified technical personnel. Prior commencing with any activities ...***

- you must carefully read and understand this manual and
- you must follow the instructions given therein.

**The ESCON Module 50/8 is considered as partly completed machinery according to EU Directive 2006/42/EC, Article 2, Clause (g) and is intended to be incorporated into or assembled with other machinery or other partly completed machinery or equipment.**

***Therefore, you must not put the device into service, ...***

- unless you have made completely sure that the other machinery fully complies with the EU directive's requirements!
- unless the other machinery fulfills all relevant health and safety aspects!
- unless all respective interfaces have been established and fulfill the herein stated requirements!

# 1 About

## 1.1 About this Document

### 1.1.1 Intended Purpose

The purpose of the present document is to familiarize you with the ESCON Module 50/8 Servo Controller. It will highlight the tasks for safe and adequate installation and/or commissioning. Follow the described instructions ...

- to avoid dangerous situations,
- to keep installation and/or commissioning time at a minimum,
- to increase reliability and service life of the described equipment.

The document contains performance data and specifications, information on fulfilled standards, details on connections and pin assignment, and wiring examples. In addition, the document also includes a Motherboard Design Guide and detailed information on the optionally available «ESCON Module 50/8 Motherboard».

### 1.1.2 Target Audience

The present document is intended for trained and skilled personnel. It conveys information on how to understand and fulfill the respective work and duties.

### 1.1.3 How to use

Take note of the following notations and codes which will be used throughout the document.

Notation	Meaning
(n)	refers to an item (such as order number, list item, etc.)
→	denotes “see”, “see also”, “take note of” or “go to”

Table 1-1 Notation used

### 1.1.4 Symbols & signs

In the course of the present document, the following symbols and signs will be used.







Type	Symbol	Meaning	
Safety Alert	 (typical)	DANGER	Indicates an <b>imminent hazardous situation</b> . If not avoided, it <b>will result in death or serious injury</b> .
		WARNING	Indicates a <b>potential hazardous situation</b> . If not avoided, it <b>may result in death or serious injury</b> .
		CAUTION	Indicates a <b>probably hazardous situation</b> or calls the attention to unsafe practices. If not avoided, it <b>may result in injury</b> .
Prohibited Action	 (typical)	Indicates a dangerous action. Hence, <b>you must not!</b>	
Mandatory Action	 (typical)	Indicates a mandatory action. Hence, <b>you must!</b>	
Information		Requirement / Note / Remark	Indicates an activity you must perform prior to continuing, or gives information on a particular item you need to observe.
		Best Practice	Indicates advice or a recommendation on the easiest and best way to proceed.
		Material Damage	Indicates instructions on how to prevent damage to the equipment.

Table 1-2 Symbols & Signs

### 1.1.5 Trademarks and Brand Names

For easier legibility, registered brand names are listed below and will not be further tagged with their respective trademark. It must be understood that the brands (the list below is not necessarily concluding) are protected by copyright and/or other intellectual property rights even if their legal trademarks are omitted in the later course of this document.

Brand Name	Trademark Owner
Certonal®	© Acota Limited, GB-Shrewsbury
Littelfuse® SMD NANO2®	© Littelfuse, USA-Chicago, IL
Windows®	© Microsoft Corporation, USA-Redmond, WA

Table 1-3 Brand Names and Trademark Owners

## 1.1.6 Copyright

© 2020 maxon. All rights reserved.

The present document – including all parts thereof – is protected by copyright. Any use (including reproduction, translation, microfilming, and other means of electronic data processing) beyond the narrow restrictions of the copyright law without the prior approval of maxon, is not permitted and subject to prosecution under the applicable law.

maxon motor ag	
Brünigstrasse 220	+41 41 666 15 00
CH-6072 Sachseln	www.maxongroup.com

## 1.2 About the Device

The ESCON Module 50/8 is a small-sized, powerful 4-quadrant PWM servo controller for the highly efficient control of permanent magnet-activated brushed DC motors or brushless EC motors up to approximately 400 Watts. The servo controller has been specifically designed for use in harsh environments and features a Certonal FC-742 protective coating.

The servo controller is available in two variants – as «ESCON Module 50/8 HE» (586137) with heat sink and as «ESCON Module 50/8» (532872) without heat sink. Latter is designed for the use with a suitable, individually selectable heat sink. Thereby, we strongly suggest to employ the maxon accessory «ESCON Module 50/8 Thermal Pad» (586142).

The featured operating modes – speed control (closed loop), speed control (open loop), and current control – meet the highest requirements. The ESCON Module 50/8 is designed being commanded by an analog set value and features extensive analog and digital I/O functionality.

The miniaturized OEM plug-in module can be seamlessly integrated in complex customer applications. A suitable motherboard is available for the initial commissioning.

The device is designed to be configured via USB interface using the graphical user interface «ESCON Studio» for Windows PCs.

You can download the latest ESCON software version (as well as the latest edition of the documentation) from the Internet under → <http://escon.maxongroup.com>.

### 1.3 About the Safety Precautions

- Make sure that you have read and understood the note “READ THIS FIRST” on page A-2!
- Do not engage in any work unless you possess the stated skills (→chapter “1.1.2 Target Audience” on page 1-3)!
- Refer to →chapter “1.1.4 Symbols & signs” on page 1-4 for explanations of the symbols used in the following!
- You must observe any regulation applicable in the country and/or at the site of implementation with regard to health and safety/accident prevention and/or environmental protection!



#### DANGER

##### **High Voltage and/or Electrical Shock**

##### **Touching live wires causes death or serious injuries!**

- *Consider any power cable as connected to live power, unless having proven the opposite!*
- *Make sure that neither end of cable is connected to live power!*
- *Make sure that power source cannot be engaged while work is in process!*
- *Obey lock-out/tag-out procedures!*
- *Make sure to securely lock any power engaging equipment against unintentional engagement and tag it with your name!*



#### Requirements

- *Make sure that all associated devices and components are installed according to local regulations.*
- *Be aware that, by principle, an electronic apparatus can not be considered fail-safe. Therefore, you must make sure that any machine/apparatus has been fitted with independent monitoring and safety equipment. If the machine/apparatus should break down, if it is operated incorrectly, if the control unit breaks down or if the cables break or get disconnected, etc., the complete drive system must return – and be kept – in a safe operating mode.*
- *Be aware that you are not entitled to perform any repair on components supplied by maxon.*



#### Electrostatic Sensitive Device (ESD)

- *Make sure to wear working cloth in compliance with ESD.*
- *Handle device with extra care.*

## 2 Specifications

### 2.1 Technical Data

ESCON Module 50/8 (532872) ESCON Module 50/8 HE (586137)		
Electrical Rating	Nominal operating voltage $+V_{CC}$	10...50 VDC
	Absolute operating voltage $+V_{CC\ min}/+V_{CC\ max}$	8 VDC/56 VDC
	Output voltage (max.)	$0.98 \times +V_{CC}$
	Output current $I_{cont}/I_{max}$ (<20 s)	8 A/15 A
	Pulse width modulation frequency	53.6 kHz
	Sampling rate of PI current controller	53.6 kHz
	Sampling rate of PI speed controller	5.36 kHz
	Max. efficiency	99%
	Max. speed of DC motor	limited by max. permissible speed (motor) and max. output voltage (controller)
	Max. speed EC motor	150,000 rpm (1 pole pair)
	Built-in motor choke	–
Inputs & Outputs	Analog input 1 Analog input 2	12-bit resolution; $-10...+10$ V; differential
	Analog output 1 Analog output 2	12-bit resolution ; $-4...+4$ V; referenced to GND
	Digital input 1 Digital input 2	$+2.4...+36$ VDC ( $R_i = 38.5$ k $\Omega$ )
	Digital input/output 3 Digital input/output 4	$+2.4...+36$ VDC ( $R_i = 38.5$ k $\Omega$ )/max. 36 VDC ( $I_L < 500$ mA)
	Hall sensor signals	H1, H2, H3
	Encoder signals	A, A\, B, B\, (max. 1 MHz)
Voltage Outputs	Auxiliary output voltage	+5 VDC ( $I_L \leq 10$ mA)
	Hall sensor supply voltage	+5 VDC ( $I_L \leq 30$ mA)
	Encoder supply voltage	+5 VDC ( $I_L \leq 70$ mA)
Motor Connections	DC motor	+ Motor, – Motor
	EC motor	Motor winding 1, Motor winding 2, Motor winding 3
Interface	USB 2.0 / USB 3.0	full speed
Status Indicators	Operation	green LED
	Error	red LED

ESCON Module 50/8 (532872) ESCON Module 50/8 HE (586137)			
Physical	Weight	Module 50/8	approx. 16 g
		Module 50/8 HE	approx. 84 g
	Dimensions (L x W x H)	Module 50/8	53.3 x 37.5 x 14.5 mm
		Module 50/8 HE	53.3 x 37.5 x 30.6 mm
Connection	Plugs into socket headers with 2.54 mm pitch and M2.5 threaded bolt		
Environmental Conditions <sup>*1)</sup>	Temperature	Operation	Module 50/8: -40...+45 °C Module 50/8 HE: -40...+65 °C
		Extended range <sup>*1)</sup>	Module 50/8: +45...+85 °C Module 50/8 HE: +65...+92 °C Derating → Figure 2-1
		Storage	-40...+85 °C
	Altitude <sup>*2)</sup>	Operation	0...6'000 m MSL
		Extended range <sup>*1)</sup>	6'000...10'000 m MSL Derating: Ambient temperature (→ Figure 2-2) less 11 °C
	Humidity	5...90% (condensation not permitted)	

\*1) Operation within the extended range (temperature and altitude) is permitted. For this purpose, however, the adjustment of ambient temperature and power dissipation (and for the ESCON Module 50/8 also a possibly necessary heat sink) must be observed.

\*2) Operating altitude in meters above Mean Sea Level, MSL.

Table 2-4      Technical Data



## 2.2 Thermal Data

### 2.2.1 Power Dissipation and Efficiency

The servo controller is available in two variants – as «ESCON Module 50/8 HE» (586137) with heat sink and as «ESCON Module 50/8» (532872) without heat sink.

The two following graphs can be used to determine the application limits for output current and ambient temperature for different supply voltages.

If you are using an ESCON Module 50/8 and want to fully utilize the extended temperature, you will need to provide a suitable heat sink. From the following graphs you can see the maximum heat resistance  $R_{th}$  of a corresponding heat sink at a known power dissipation  $P_D$ . Take also note of →chapter “2.2.2 Application Example: Determining a suitable Heat Sink” on page 2-10.

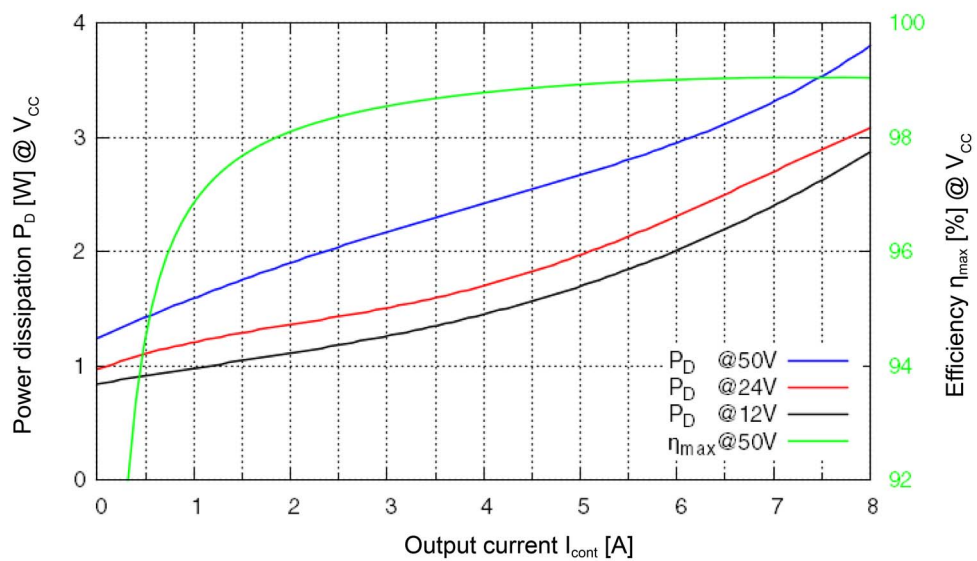


Figure 2-1 Power Dissipation and Efficiency

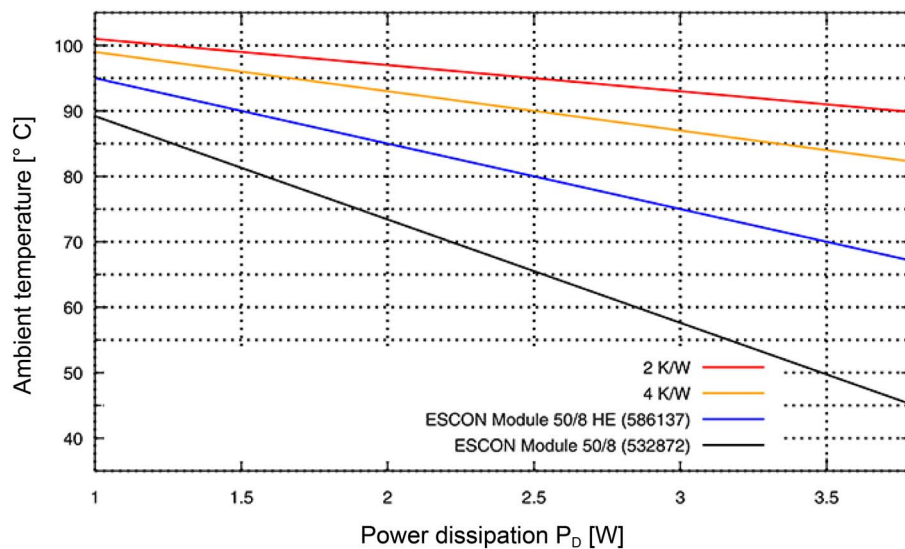


Figure 2-2 Derating Ambient Temperature / required Heat Sink

### 2.2.2 Application Example: Determining a suitable Heat Sink

To choose a suitable heat sink you will need to determine the maximum heat resistance  $R_{th}$ . Retrieve the values of above figures as follows:

**1) Assumption**

The ESCON Module 50/8 (532872) shall be operated at a nominal operating voltage  $+V_{CC}$  of 24 V and an output current  $I_{cont}$  of 8 A.

**2) →Figure 2-1**

At the intersection of the red characteristic (24 V) and 8 A output current (X-axis), a power dissipation of 3.2 W results on the Y-axis.

**3) →Figure 2-2**

The black characteristic (ESCON Module 50/8) reveals that operation with a power dissipation of 3.2 W (X-axis) is possible without heat sink up to a maximum ambient temperature of approx. 55 °C (Y-axis).

Under the same conditions, however, for operation at a maximum ambient temperature of 85 °C (Y-axis) a heat sink with a maximum heat resistance  $R_{th}$  of less than 4 K/W is required (yellow characteristic).

Use the maxon accessory «ESCON Module 50/8 Thermal Pad» (586142) for optimum heat transfer and observe the manufacturer's specifications for the respective heat sink.

Specification / Accessories			
ESCON Module 50/8 Heat Sink *3)	Dimensions	53.3 x 37.5 x 16.5 mm (L x B x H)	(586141)
	Heat resistance $R_{th}$	5.8 K/W	
	Mounting	4 threads for M2.5 screws	
	Material	Aluminum, black anodized	
ESCON Module 50/8 Thermal Pad *3)	Dimensions	40 x 25 x 4 mm (L x B x H)	(586142)
*3) Corresponds to the components used in ESCON Module 50/8 HE (586137)			

Table 2-5 Heat Sink – Specification & Accessories

## 2.3 Limitations

Protection functionality	Switch-off threshold	Recovery threshold
Undervoltage	7.2 V	7.4 V
Overvoltage	58 V	55 V
Overcurrent	22.5 A	—
Thermal overload	105 °C	90 °C

Table 2-6 Limitations

**2.4 Dimensional Drawings**

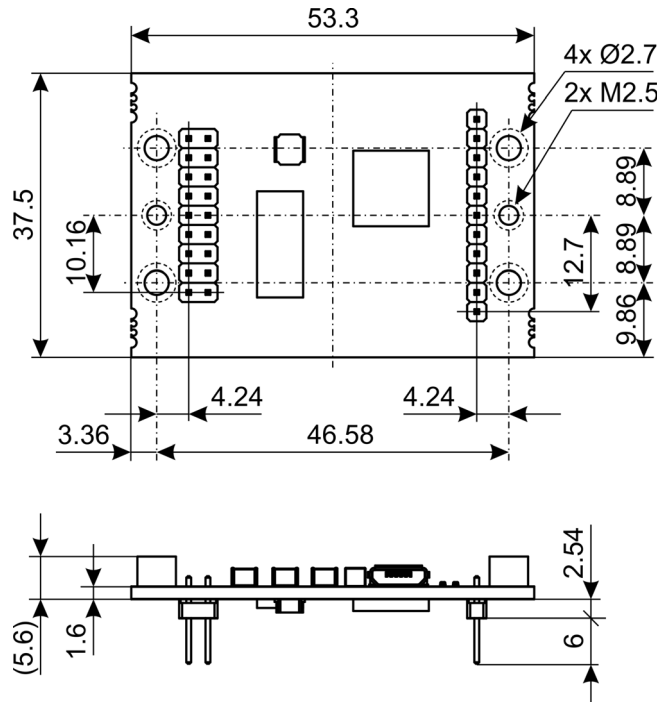


Figure 2-3 ESCON Module 50/8 – Dimensional Drawing [mm]

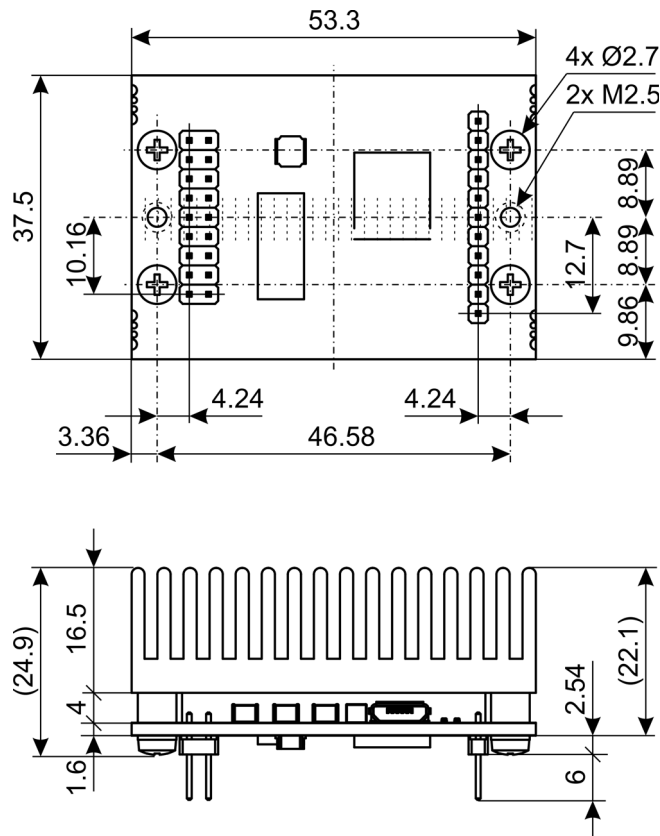


Figure 2-4 ESCON Module 50/8 HE – Dimensional Drawing [mm]

## 2.5 Standards

The described device has been successfully tested for compliance with the below listed standards. In practical terms, only the complete system (the fully operational equipment comprising all individual components, such as motor, servo controller, power supply unit, EMC filter, cabling etc.) can undergo an EMC test to ensure interference-free operation.



### Important Notice

*The device's compliance with the mentioned standards does not imply its compliance within the final, ready to operate setup. In order to achieve compliance of your operational system, you must perform EMC testing of the involved equipment as a whole.*

Electromagnetic compatibility		
Generic standards	IEC/EN 61000-6-2	Immunity for industrial environments
	IEC/EN 61000-6-3	Emission standard for residential, commercial and light-industrial environments
Applied standards	IEC/EN 61000-6-3 IEC/EN 55022 (CISPR22)	Radio disturbance characteristics/radio interference
	IEC/EN 61000-4-3	Radiated, radio-frequency, electromagnetic field immunity test >10 V/m
	IEC/EN 61000-4-4	Electrical fast transient/burst immunity test ±2 kV
	IEC/EN 61000-4-6	Immunity to conducted disturbances, induced by radio-frequency fields 10 Vrms

Others		
Environmental standards	IEC/EN 60068-2-6	Environmental testing – Test Fc: Vibration (sinusoidal, 10...500 Hz, 20 m/s <sup>2</sup> )
	MIL-STD-810F	Random transport (10...500 Hz up to 2.53 g <sub>rms</sub> )
Safety standards	UL File Number E108467; unassembled printed circuit board	
Reliability	MIL-HDBK-217F	Reliability prediction of electronic equipment Environment: Ground, benign (GB) Ambient temperature: 298 K (25 °C) Component stress: In accordance with circuit diagram and nominal power Mean Time Between Failures (MTBF) <ul style="list-style-type: none"> <li>• ESCON Module 50/8: 380'195 hours</li> <li>• ESCON Module 50/8 HE: 517'288 hours</li> </ul>

Table 2-7 Standards

### 3 Setup

**IMPORTANT NOTICE: PREREQUISITES FOR PERMISSION TO COMMENCE INSTALLATION**

The **ESCON Module 50/8** is considered as partly completed machinery according to EU Directive 2006/42/EC, Article 2, Clause (g) and **is intended to be incorporated into or assembled with other machinery or other partly completed machinery or equipment.**

**WARNING****Risk of Injury**

**Operating the device without the full compliance of the surrounding system with EU Directive 2006/42/EC may cause serious injuries!**

- Do not operate the device, unless you have made completely sure that the other machinery fully complies with the EU directive's requirements!
- Do not operate the device, unless the other machinery fulfills all relevant health and safety aspects!
- Do not operate the device, unless all respective interfaces have been established and fulfill the requirements stated in this document!

#### 3.1 Generally applicable Rules

**Maximal permitted Supply Voltage**

- Make sure that operating voltage is between 10...50 VDC.
- Supply voltages above 56 VDC, or wrong polarity will destroy the unit.
- Note that the necessary output current is depending on the load torque. Yet, the output current limits of the ESCON Module 50/8 are as follows; continuous max. 8 A / short-time (acceleration) max. 15 A.

**Hot plugging the USB Interface may cause Hardware Damage**

If the USB interface is being hot-plugged (connecting while the power supply is on), the possibly high differences in potential of the two power supplies of controller and PC/Notebook can lead to damaged hardware.

- Avoid potential differences between the power supply of controller and PC/Notebook or, if possible, balance them.
- Insert the USB connector first, then switch on the power supply of the controller.

### 3.2 Configuration of Power Supply

Basically, any power supply may be used, provided it meets the minimal requirements stated below.

Power Supply Requirements	
Output voltage	+V <sub>CC</sub> 10...50 VDC
Absolute output voltage	min. 8 VDC; max. 56 VDC
Output current	Depending on load <ul style="list-style-type: none"> <li>• continuous max. 8 A</li> <li>• short-time (acceleration, &lt;20 s) max. 15 A</li> </ul>

- 1) Use the formula below to calculate the required voltage under load.
- 2) Choose a power supply according to the calculated voltage. Thereby consider:
  - a) During braking of the load, the power supply must be capable of buffering the recovered kinetic energy (for example, in a capacitor).
  - b) If you are using an electronically stabilized power supply, make sure that the overcurrent protection circuit is configured inoperative within the operating range.



**Note**

The formula already takes the following into account:

- Maximum PWM duty cycle of 98%
- Controller's max. voltage drop of 1 V @ 8 A

**KNOWN VALUES:**

- Operating torque M [mNm]
- Operating speed n [rpm]
- Nominal motor voltage U<sub>N</sub> [Volt]
- Motor no-load speed at U<sub>N</sub>, n<sub>0</sub> [rpm]
- Speed/torque gradient of the motor Δn/ΔM [rpm/mNm]

**SOUGHT VALUE:**

- Supply voltage +V<sub>CC</sub> [Volt]

**SOLUTION:**

$$V_{CC} \geq \left[ \frac{U_N}{n_0} \cdot \left( n + \frac{\Delta n}{\Delta M} \cdot M \right) \cdot \frac{1}{0.98} \right] + 1 [V]$$

### 3.3 Connections

The actual connection will depend on the overall configuration of your drive system and the type of motor you will be using.

Follow the description in the given order and choose the wiring diagram that best suits the components you are using. For corresponding wiring diagrams → Chapter “4 Wiring” on page 4-27.

#### 3.3.1 Pin Assignment

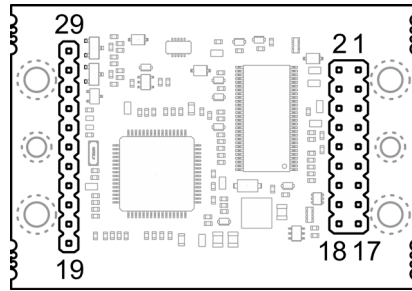


Figure 3-5 Pin Assignment

Pin	Signal	Description
1/2	Motor (+M) Motor winding 1	DC motor: Motor + EC motor: Winding 1
3/4	Motor (-M) Motor winding 2	DC motor: Motor - EC motor: Winding 2
5/6	Motor winding 3	EC motor: Winding 3
7/8	+V <sub>CC</sub>	Nominal operating voltage (+10...+50 VDC)
9/10	Power_GND GND	Ground of operating voltage Ground
11	+5 VDC	Hall sensor supply voltage (+5 VDC; ≤30 mA) Encoder supply voltage (+5 VDC; ≤70 mA) Auxiliary output voltage (+5 VDC; ≤10 mA)
12	Channel A	Encoder channel A
13	Hall sensor 1	Hall sensor 1 input
14	Channel A\	Encoder channel A complement
15	Hall sensor 2	Hall sensor 2 input
16	Channel B	Encoder channel B
17	Hall sensor 3	Hall sensor 3 input
18	Channel B\	Encoder channel B complement

Table 3-8 Pin Assignment (Pins 1-18)

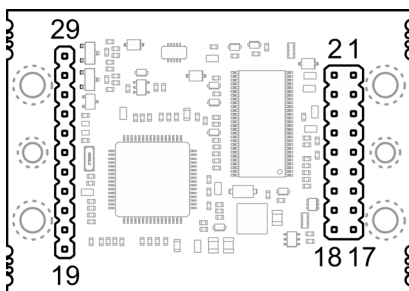


Figure 3-6 Pin Assignment

Pin	Signal	Description
19	DigIN/DigOUT4	Digital input/output 4
20	DigIN/DigOUT3	Digital input/output 3
21	DigIN2	Digital input 2
22	DigIN1	Digital input 1
23	GND	Ground
24	AnOUT2	Analog output 2
25	AnOUT1	Analog output 1
26	AnIN2-	Analog input 2, negative signal
27	AnIN2+	Analog input 2, positive signal
28	AnIN1-	Analog input 1, negative signal
29	AnIN1+	Analog input 1, positive signal

Table 3-9 Pin Assignment (Pins 19-29)



### 3.3.2 Hall Sensor

Hall sensor supply voltage	+5 VDC
Max. Hall sensor supply current	30 mA
Input voltage	0...24 VDC
Max. input voltage	+24 VDC
Logic 0	typically <1.0 V
Logic 1	typically >2.4 V
Internal pull-up resistor	10 k $\Omega$ (referenced to +5.45 V)

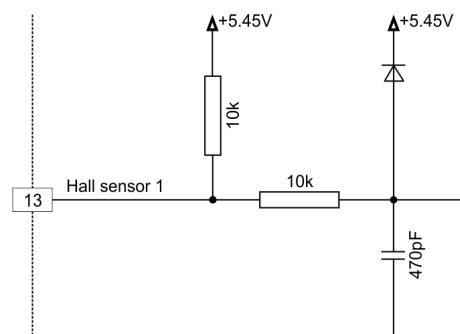


Figure 3-7 Hall Sensor 1 Input Circuit (analogously valid also for Hall Sensors 2 & 3)

### 3.3.3 Encoder



**Best practice**

- Differential signals offer good resistance against electrical interference. Therefore we **recommend using a differential scheme**. Nevertheless, the controller supports both schemes – differential and single-ended (unsymmetrical).
- The controller does not require an index impulse (Ch I, Ch IV).
- For best performance, **we strongly recommend using encoders with a line driver**. Otherwise, speed limitations may apply due to slow switching edges.

Differential	
Min. differential input voltage	±200 mV
Max. input voltage	+12 VDC/-12 VDC
Line receiver (internal)	EIA RS422 standard
Max. input frequency	1 MHz

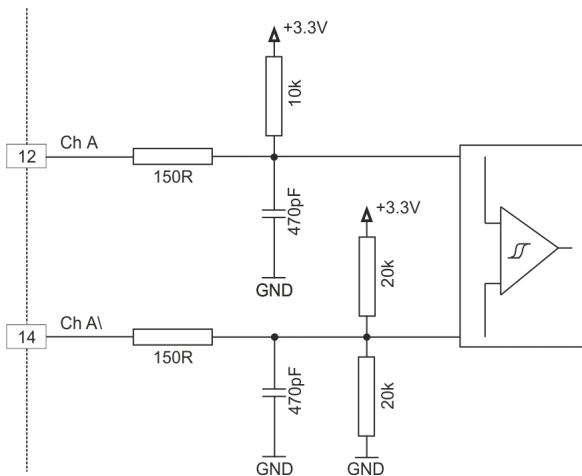


Figure 3-8 Encoder Input Circuit Ch A “Differential” (analogously valid also for Ch B)

Single-ended	
Input voltage	0...5 VDC
Max. input voltage	+12 VDC/-12 VDC
Logic 0	<1.0 V
Logic 1	>2.4 V
Input high current	$I_{IH}$ = typically +420 $\mu$ A @ 5 V
Input low current	$I_{IL}$ = typically -170 $\mu$ A @ 0 V
Max. input frequency	100 kHz

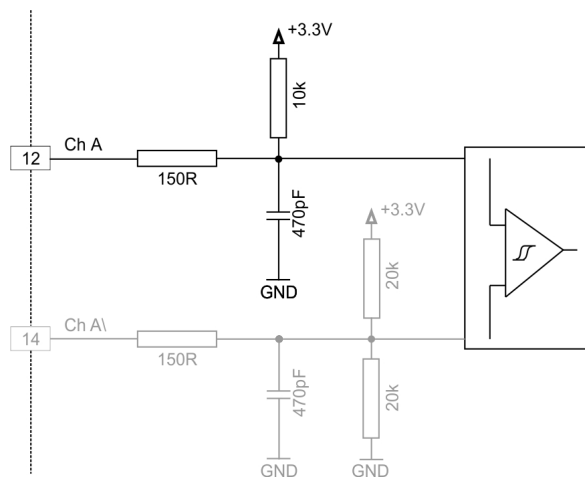


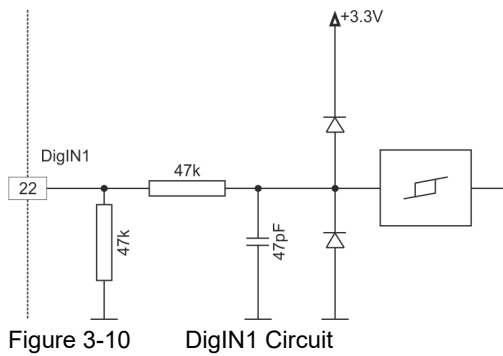
Figure 3-9 Encoder Input Circuit Ch A “Single-ended” (analogously valid also for Ch B)

### 3.3.4 Digital I/Os

#### 3.3.4.1 Digital Input 1

Input voltage	0...36 VDC
Max. input voltage	+36 VDC/-36 VDC
Logic 0	typically <1.0 V
Logic 1	typically >2.4 V
Input resistance	typically 47 k $\Omega$ (<3.3 V) typically 38.5 k $\Omega$ (@ 5 V) typically 25.5 k $\Omega$ (@ 24 V)
Input current at logic 1	typically 130 $\mu$ A @ +5 VDC
Switching delay	<8 ms

PWM frequency range	10 Hz...5 kHz
PWM duty cycle range (resolution)	10...90% (0.1%)
RC Servo cycle duration	3...30 ms
RC Servo pulse length	1...2 ms



### 3.3.4.2 Digital Input 2

Input voltage	0...36 VDC
Max. input voltage	+36 VDC/-36 VDC
Logic 0	typically <1.0 V
Logic 1	typically >2.4 V
Input resistance	typically 47 k $\Omega$ (<3.3 V) typically 38.5 k $\Omega$ (@ 5 V) typically 25.5 k $\Omega$ (@ 24 V)
Input current at logic 1	typically 130 $\mu$ A @ +5 VDC
Switching delay	<8 ms

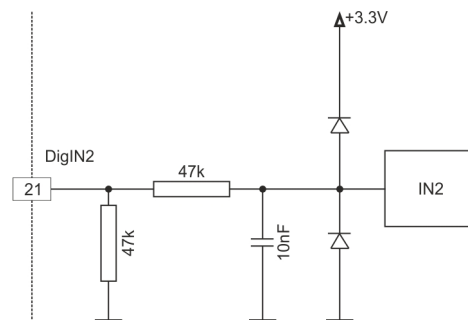


Figure 3-11 DigIN2 Circuit

### 3.3.4.3 Digital Inputs/Outputs 3 and 4

DigIN	
Input voltage	0...36 VDC
Max. input voltage	+36 VDC
Logic 0	typically <1.0 V
Logic 1	typically >2.4 V
Input resistance	typically 47 k $\Omega$ (<3.3 V) typically 38.5 k $\Omega$ (@ 5 V) typically 25.5 k $\Omega$ (@ 24 V)
Input current at logic 1	typically 130 $\mu$ A @ +5 VDC
Switching delay	<8 ms

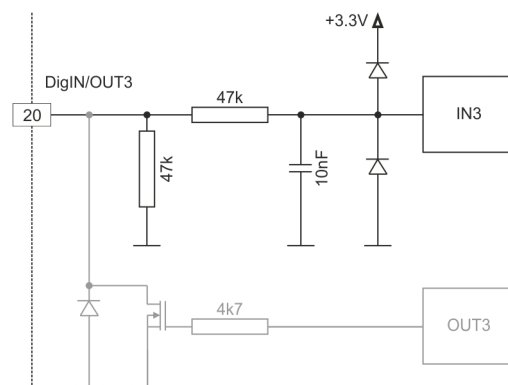


Figure 3-12 DigIN3 Circuit (analogously valid also for DigIN4)

DigOUT	
Max. input voltage	+36 VDC
Max. load current	500 mA
Max. voltage drop	0.5 V @ 500 mA
Max. load inductance	100 mH @ 24 VDC; 500 mA

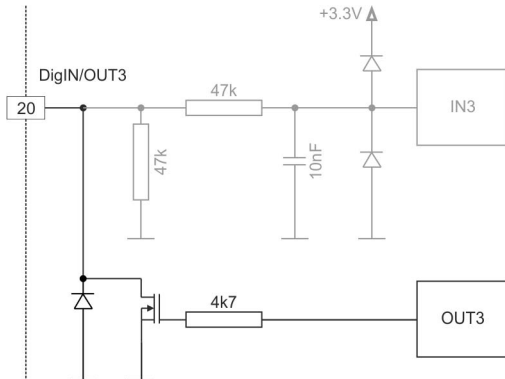


Figure 3-13 DigOUT3 Circuit (analogously valid also for DigOUT4)

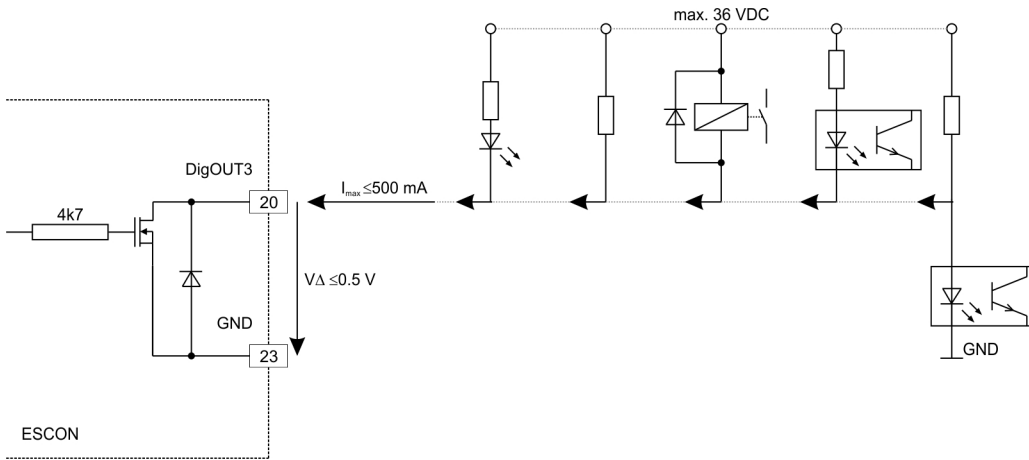


Figure 3-14 DigOUT3 Wiring Examples (analogously valid also for DigOUT4)

### 3.3.5 Analog I/Os

#### 3.3.5.1 Analog Inputs 1 and 2

Input voltage	-10...+10 VDC (differential)
Max. input voltage	+24 VDC/-24 VDC
Common mode voltage	-5...+10 VDC (referenced to GND)
Input resistance	80 kΩ (differential) 65 kΩ (referenced to GND)
A/D converter	12-bit
Resolution	5.64 mV
Bandwidth	10 kHz

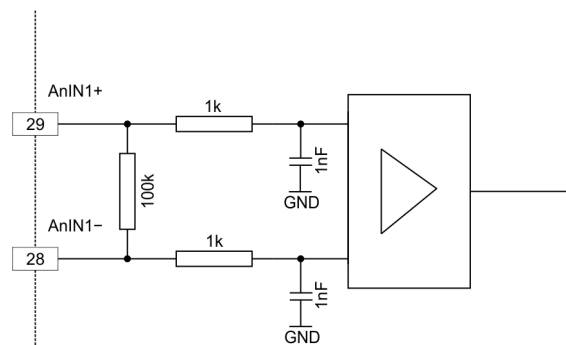


Figure 3-15 AnIN1 Circuit (analogously valid also for AnIN2)

#### 3.3.5.2 Analog Outputs 1 and 2

Output voltage	-4...+4 VDC
D/A converter	12-bit
Resolution	2.42 mV
Refresh rate	AnOUT1: 26.8 kHz AnOUT2: 5.4 kHz
Analog bandwidth of output amplifier	50 kHz
Max. capacitive load	300 nF <b>Note:</b> The rate of the increase is limited in proportion to the capacitive load (e.g. 5 V/ms @300 nF).
Max. output current limit	1 mA

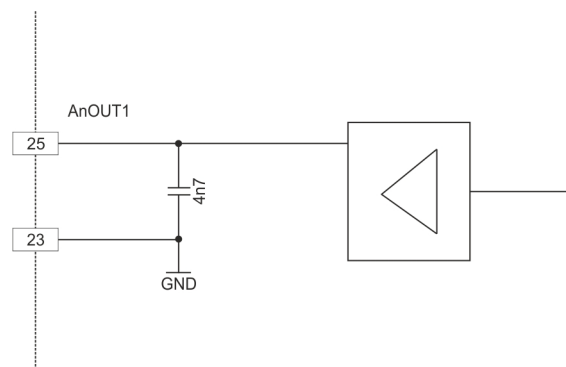


Figure 3-16 AnOUT1 Circuit (analogously valid also for AnOUT2)

### 3.3.6 USB (J7)



**Hot plugging the USB Interface may cause Hardware Damage**

If the USB interface is being hot-plugged (connecting while the power supply is on), the possibly high differences in potential of the two power supplies of controller and PC/Notebook can lead to damaged hardware.

- Avoid potential differences between the power supply of controller and PC/Notebook or, if possible, balance them.
- Insert the USB connector first, then switch on the power supply of the controller.

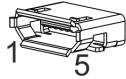


Figure 3-17 USB Socket J7



**Note**

Column “Head B” (→Table 3-10) refers to USB terminals of your PC.

J7 & Head A Pin	Head B Pin	Signal	Description
1	1	V <sub>BUS</sub>	USB BUS supply voltage input +5 VDC
2	2	D-	USB Data- (twisted pair with Data+)
3	3	D+	USB Data+ (twisted pair with Data-)
4	–	ID	not connected
5	4	GND	USB ground

Table 3-10 USB Socket J7 – Pin Assignment & Cabling

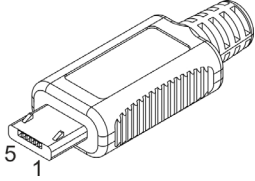
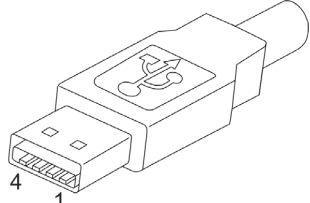
USB Type A - micro B Cable (403968)	
<b>A</b>	<b>B</b>
	
Cable cross-section	According to USB 2.0 / USB 3.0 specification
Length	1.5 m
Head A	USB type “micro B”, male
Head B	USB type “A”, male

Table 3-11 USB Type A - micro B Cable



USB standard	USB 2.0 / USB 3.0 (full speed)
Max. bus operating voltage	+5.25 VDC
Typical input current	60 mA
Max. DC data input voltage	-0.5...+3.8 VDC

### 3.4 Status Indicators

Light-emitting diodes (LEDs) indicate the actual operating status (green) and possible errors (red).

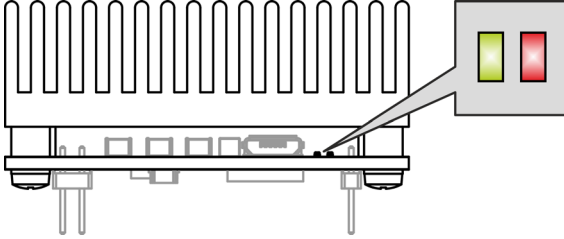


Figure 3-18 LEDs – Location

LED		Status/Error	
Green	Red		
off	off	INIT	
slow	off	DISABLE	
on	off	ENABLE	
2x	off	STOPPING; STOP STANDSTILL	
off	1x	ERROR	<ul style="list-style-type: none"> <li>• +Vcc Overvoltage Error</li> <li>• +Vcc Undervoltage Error</li> <li>• +5 VDC Undervoltage Error</li> </ul>
off	2x	ERROR	<ul style="list-style-type: none"> <li>• Thermal Overload Error</li> <li>• Overcurrent Error</li> <li>• Power Stage Protection Error</li> <li>• Internal Hardware Error</li> </ul>
off	3x	ERROR	<ul style="list-style-type: none"> <li>• Encoder Cable Break Error</li> <li>• Encoder Polarity Error</li> <li>• DC Tacho Cable Break Error</li> <li>• DC Tacho Polarity Error</li> </ul>
off	4x	ERROR	• PWM Set Value Input out of Range Error
off	5x	ERROR	<ul style="list-style-type: none"> <li>• Hall Sensor Pattern Error</li> <li>• Hall Sensor Sequence Error</li> <li>• Hall Sensor Frequency too high Error</li> </ul>
off	on	ERROR	<ul style="list-style-type: none"> <li>• Auto Tuning Identification Error</li> <li>• Internal Software Error</li> </ul>

Table 3-12 LEDs – Interpretation of Condition

## 4 Wiring

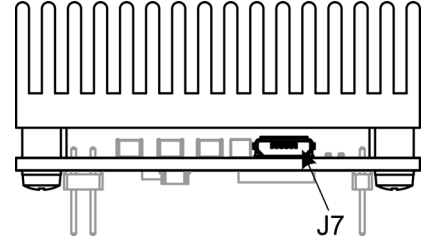
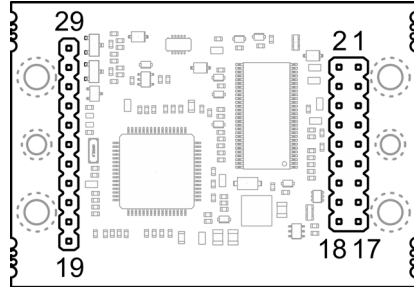
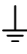


Figure 4-19 Interfaces – Designations and Location



**Note**

The subsequent diagrams feature this symbol:

-  Ground safety earth connection (optional)

### 4.1 DC Motors

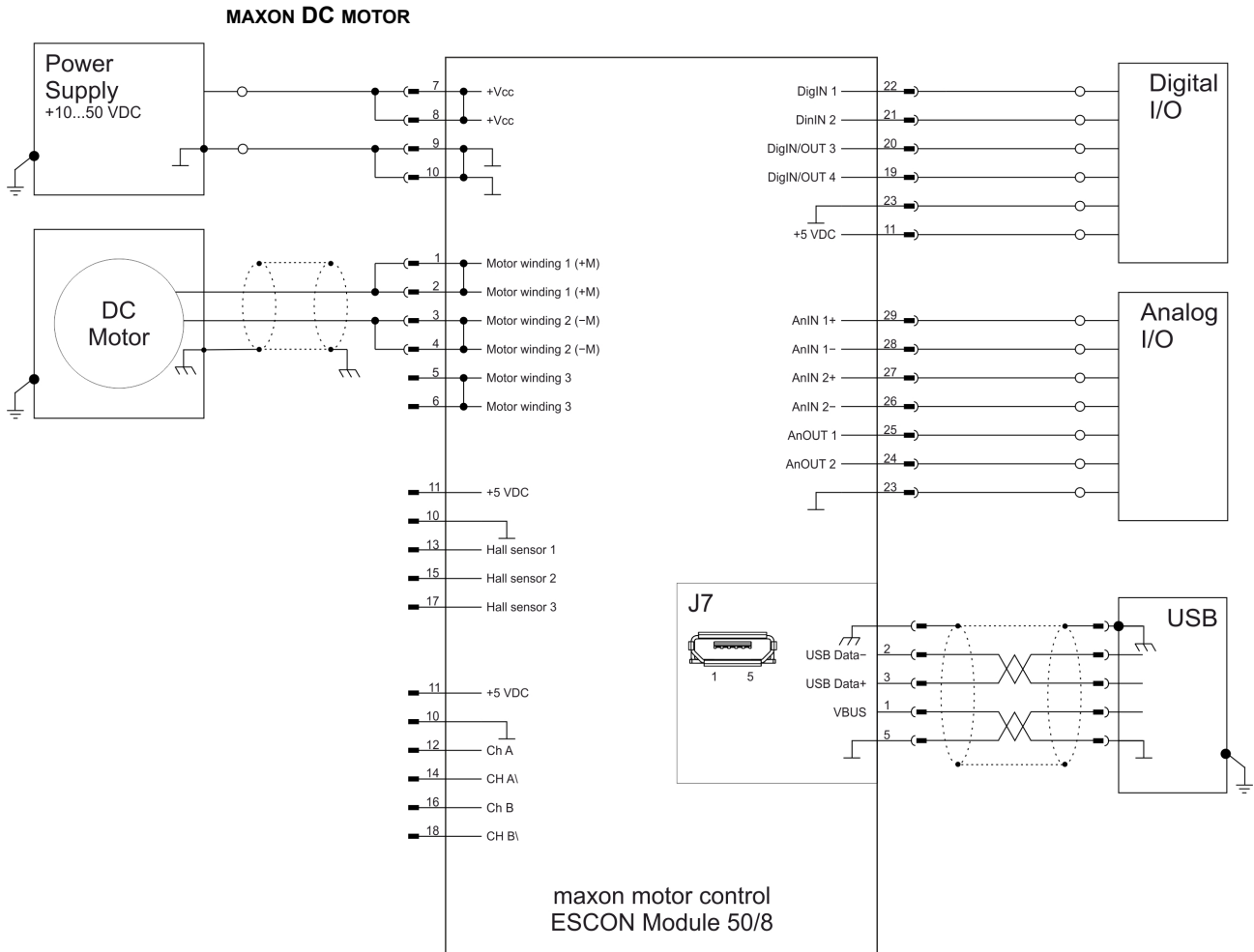


Figure 4-20 maxon DC motor

**MAXON DC MOTOR WITH DC TACHO**

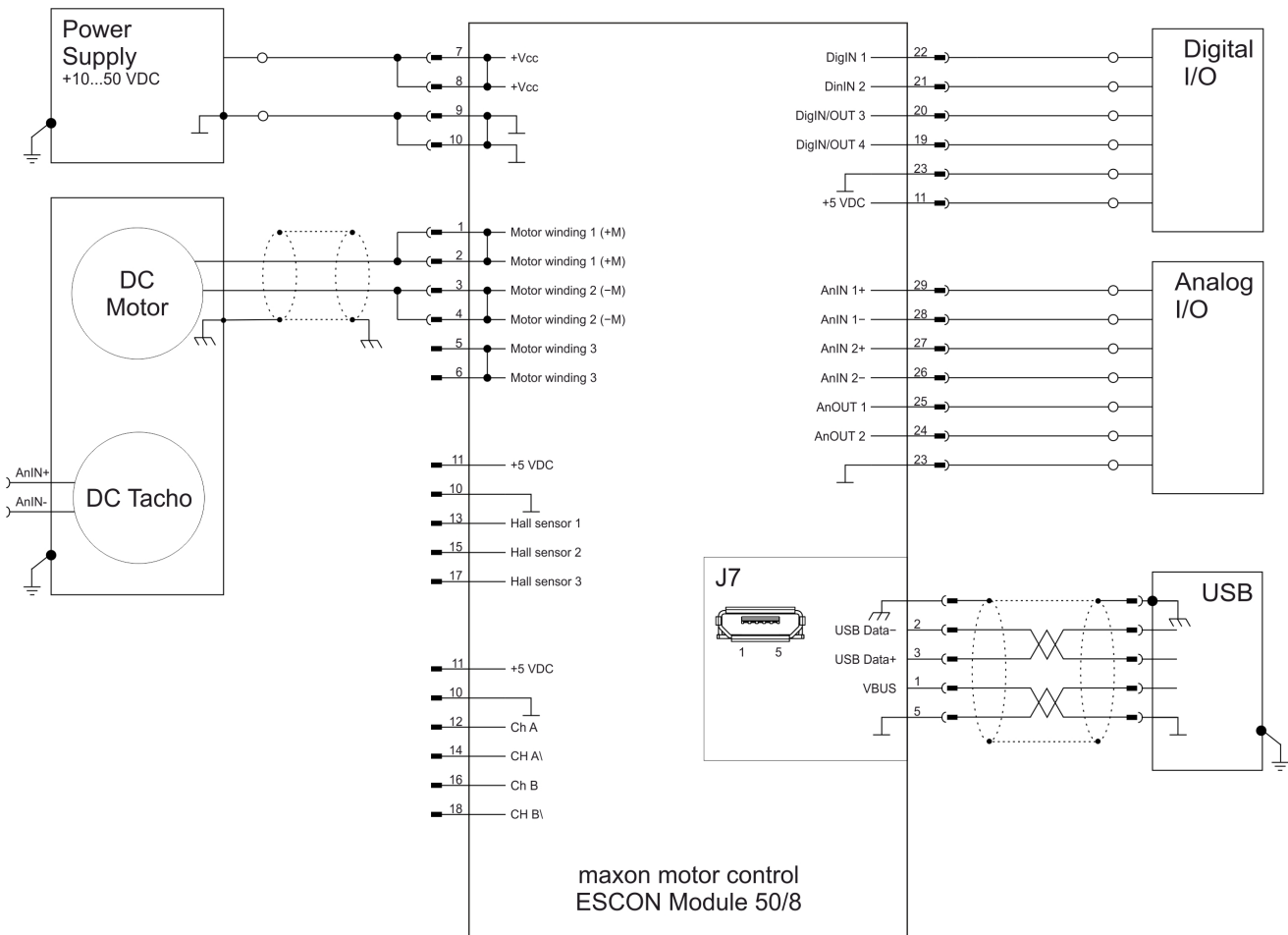


Figure 4-21 maxon DC motor with DC Tacho

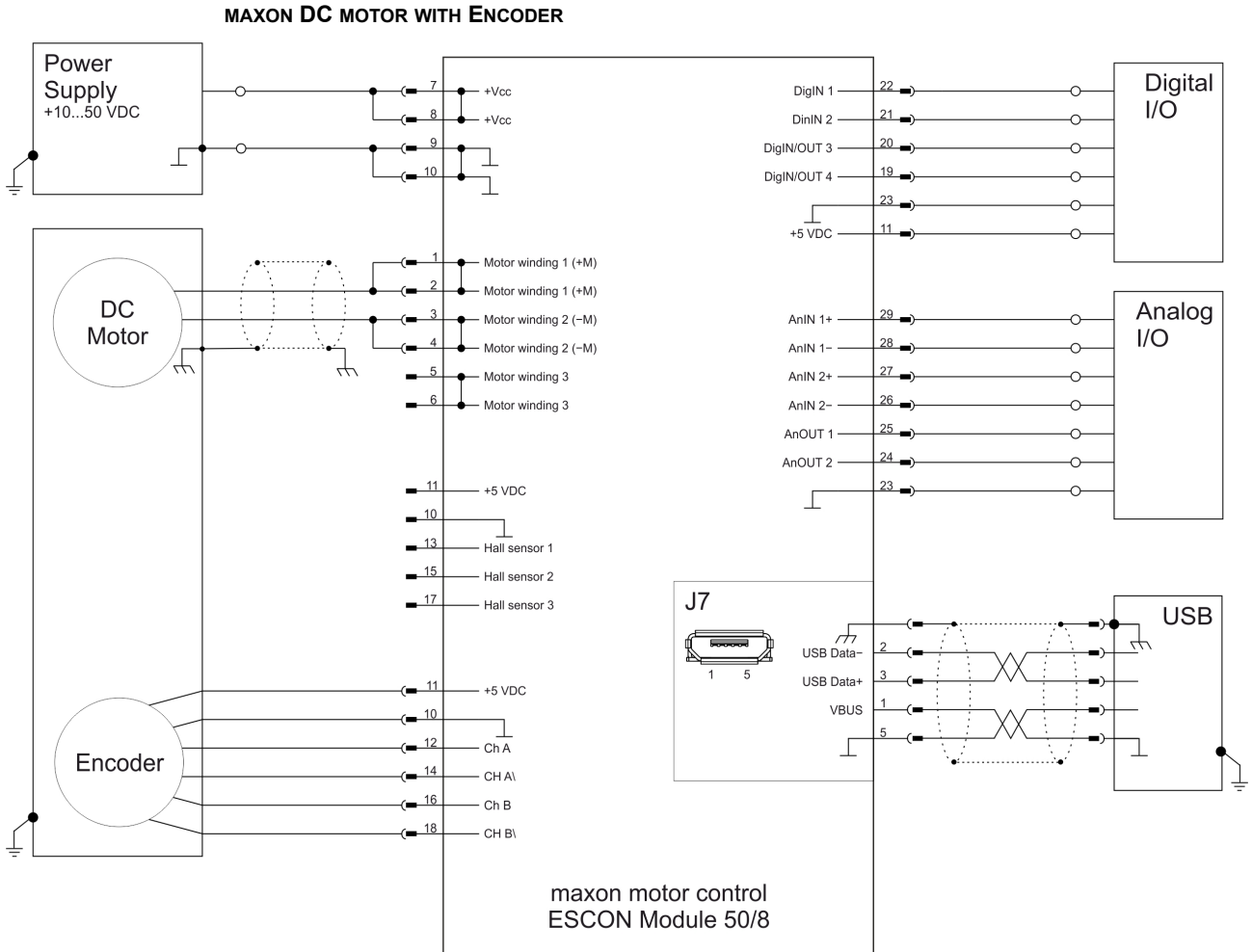


Figure 4-22 maxon DC motor with Encoder

## 4.2 EC Motors

MAXON EC MOTOR WITH HALL SENSORS

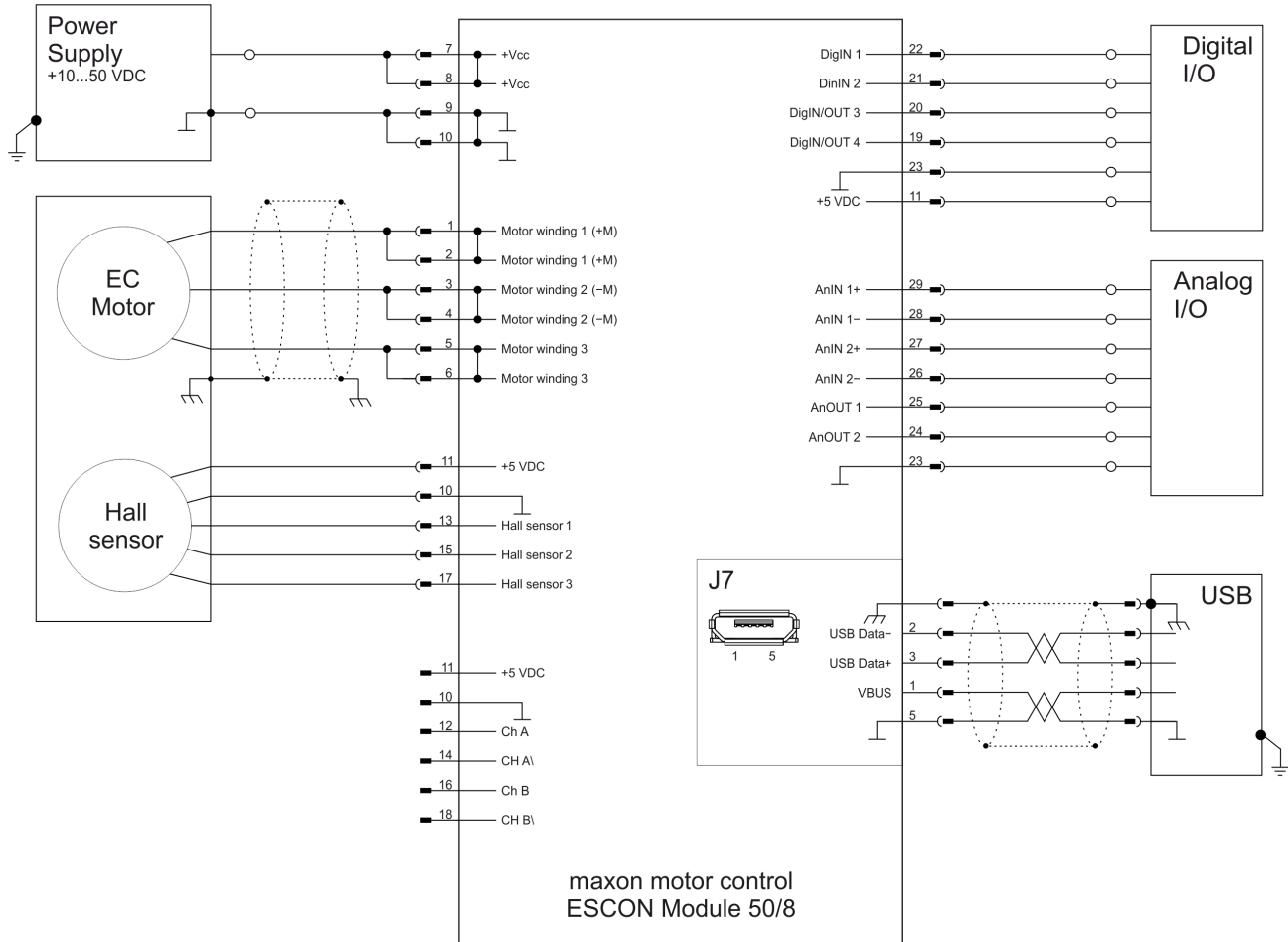


Figure 4-23 maxon EC motor with Hall Sensors

MAXON EC MOTOR WITH HALL SENSORS & ENCODER

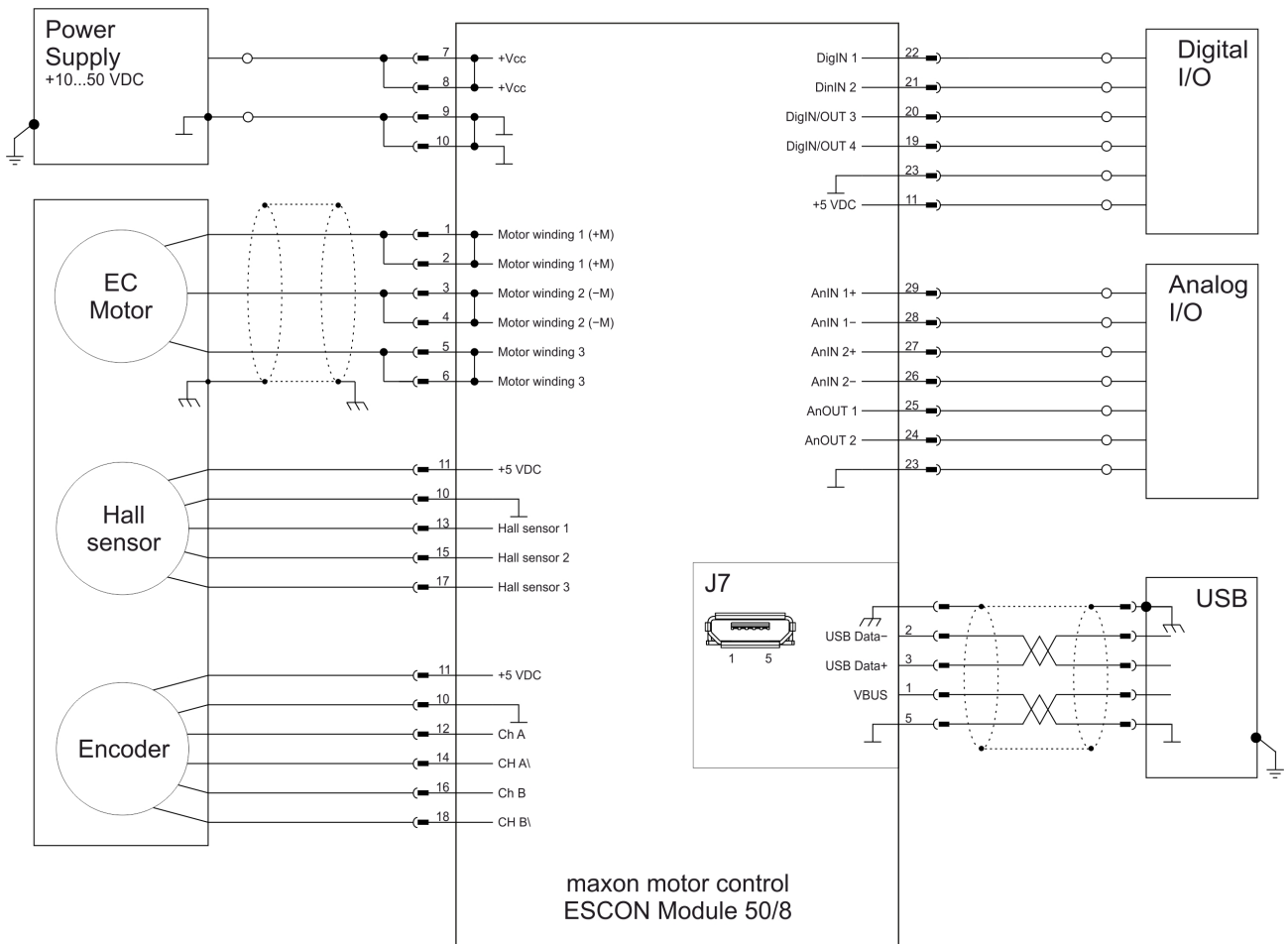


Figure 4-24 maxon EC motor with Hall Sensors & Encoder

***••page intentionally left blank••***



## 5 Motherboard Design Guide

The following provides helpful information on integrating the ESCON Module 50/8 on a printed circuit board. The «Motherboard Design Guide» contains recommendations for the layout of the motherboard and specifies external components that may be required, pin assignments, and connection examples.



### CAUTION

#### ***Dangerous Action***

#### ***Errors in implementing the Design can result in serious Injury!***

- *Only proceed if you are skilled in electronics design!*
- *Designing a printed circuit board requires special skills and knowledge and may only be performed by experienced electronic developers!*
- *This quick guide is only intended as an aid, does not make any claim to completeness, and will not automatically result in a functional component!*



#### ***Bring in additional Support:***

*If you are not trained in the design and development of printed circuit boards, you will need additional support for this point.  
maxon will be happy to provide you with a quote for designing and manufacturing a motherboard for your specific application.*

## 5.1 Requirements for Components of Third-party Suppliers

### 5.1.1 Socket Headers

The ESCON Module 50/8's implementation with pin headers permits mounting in two different ways. The module can either be plugged onto a socket header (→ Table 5-13) or be directly soldered to a printed circuit board.

### 5.1.2 Supply Voltage

To protect the ESCON Module 50/8, we recommend using an external circuit breaker, a TVS diode, and a capacitor in the voltage supply cable. In this regard, please note the following recommendations:

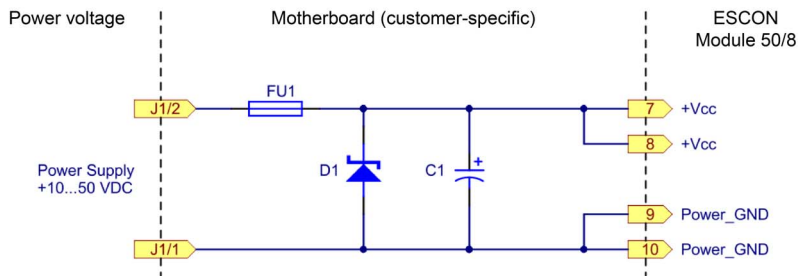


Figure 5-25 Wiring of Voltage Supply Cable

#### INPUT FUSE (FU1)

An input fuse (FU1) is necessary in order to provide reverse polarity protection. Together with an unipolar TVS diode (D1), this prevents current from flowing in the wrong direction.

#### TVS DIODE (D1)

To protect against overvoltage resulting from voltage transients or brake energy feedback, we recommend connecting a TVS (transient voltage suppressor) diode (D1) to the voltage supply cable.

#### CAPACITOR (C1)

The function of the ESCON Module 50/8 does not necessarily require the use of an external capacitor (C1). To further reduce voltage ripple and feedback currents, an electrolytic capacitor can be connected to the voltage supply cable.

### 5.1.3 Motor Cables/Motor Chokes

The ESCON Module 50/8 is not equipped with internal motor chokes. The majority of motors and applications do not require additional chokes. However, in the case of high supply voltage with very low terminal inductance, the ripple of the motor current can reach an unacceptably high value. This causes the motor to heat up unnecessarily and causes instable control behavior. The minimum terminal inductance required per phase can be calculated using the following formula:

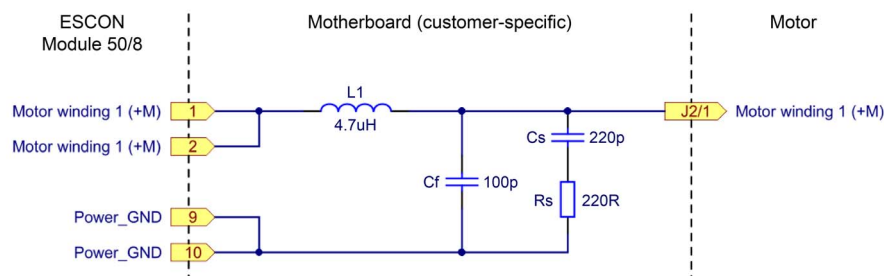
$$L_{phase} \geq \frac{1}{2} \cdot \left( \frac{V_{cc}}{6 \cdot f_{PWM} \cdot I_N} - (0.3 \cdot L_{motor}) \right)$$

$L_{phase}[H]$	Additional external inductance per phase
$V_{cc}[V]$	Operating voltage +V <sub>cc</sub>
$f_{PWM}[Hz]$	Switching frequency of the power stage = 53 600 Hz
$I_N[A]$	Nominal current of the motor (→line 6 in the maxon catalog)
$L_{motor}[H]$	Terminal inductance of the motor (→line 11 in the maxon catalog)

If the result of the calculation is negative, no additional chokes are necessary. Nevertheless, the use of chokes in combination with additional filter components can be useful to reduce the emission of electromagnetic interference.

An additional choke must feature electromagnetic shielding, a high saturation current, minimal losses, and a nominal current greater than the continuous current of the motor. The below wiring examples refer to additional inductances of 4.7 µH and 22 µH. If a different additional inductance is required, also the filter components must be adapted accordingly. Should you need further help with the filter design, contact maxon Support at →<http://support.maxongroup.com>.

#### Example 1



#### Example 2

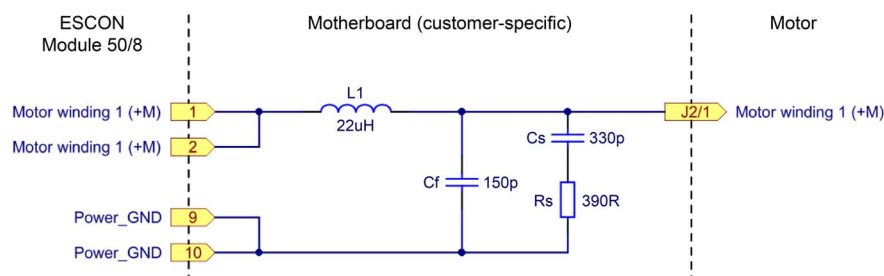


Figure 5-26 Wiring of Motor Winding 1 (analogously valid also for Motor Windings 2 & 3)

**5.1.4 Recommended Components and Manufacturers**

Recommended components	
Socket Header	Straight socket header, pluggable with 0.64 x 0.64 mm pin headers, 2.54 mm pitch, contact material: gold
	9 poles, 2 rows Samtec (SSW-109-01-L-D) Samtec (SSW-109-01-G-D)
	11 poles, 1 row Samtec (SSW-111-01-L-S) Samtec (SSW-111-01-G-S)
FU1 Fuse	Littelfuse 157 series, fuse holder incl. SMD NANO2 Fuse 10 A very fast-acting, 26.46 A <sup>2</sup> sec (0157010.DR)
TVS Diode D1	<ul style="list-style-type: none"> <li>Vishay (SMBJ54A) <math>U_R = 54 \text{ V}</math>, <math>U_{BR} = 60.0 \dots 66.3 \text{ V @ } 1 \text{ mA}</math>, <math>U_C = 87.1 \text{ V @ } 6.9 \text{ A}</math></li> <li>Diotec (P6SMBJ54A) <math>U_R = 54 \text{ V}</math>, <math>U_{BR} = 60.0 \dots 66.6 \text{ V @ } 1 \text{ mA}</math>, <math>U_C = 87.1 \text{ V @ } 6.9 \text{ A}</math></li> </ul>
Capacitor C1	<ul style="list-style-type: none"> <li>Panasonic (EEUFC1J221S) Rated voltage 63 V, capacitance 220 <math>\mu\text{F}</math>, ripple current 1285 mA</li> <li>Rubycon (63ZL220M10X23) Rated voltage 63 V, capacitance 220 <math>\mu\text{F}</math>, ripple current 1120 mA</li> <li>Nichicon (UPM1J221MHD) Rated voltage 63 V, capacitance 220 <math>\mu\text{F}</math>, ripple current 1300 mA</li> </ul>
Motor Cable Motor Choke	<p><b>4.7 <math>\mu\text{H}</math></b></p> <ul style="list-style-type: none"> <li>Würth Elektronik WE-PD-XXL (7447709004) <math>L_N = 4.7 \mu\text{H}</math>, <math>R_{DC} = 7.0 \text{ m}\Omega</math>, <math>I_{DC} = 9.3 \text{ A}</math>, <math>I_{sat} = 13 \text{ A}</math>, shielded</li> <li>Coiltronics / Eaton (DR127-4R7-R) <math>L_N = 4.7 \mu\text{H}</math>, <math>R_{DC} = 9.2 \text{ m}\Omega</math>, <math>I_{DC} = 8.25 \text{ A}</math>, <math>I_{sat} = 16.5 \text{ A}</math>, shielded</li> </ul> <p><b>22 <math>\mu\text{H}</math></b></p> <ul style="list-style-type: none"> <li>Bourns (SRP1770TA-220) <math>L_N = 22 \mu\text{H}</math>, <math>R_{DC} = 25.1 \text{ m}\Omega</math>, <math>I_{DC} = 12 \text{ A}</math>, <math>I_{sat} = 18 \text{ A}</math>, shielded</li> </ul>
Motor Filter	<p><b>Example 1</b></p> <ul style="list-style-type: none"> <li>Motor choke L1 4.7 <math>\mu\text{H}</math></li> <li>Filter capacitor Cf 100 pF; 100 V</li> <li>Snubber capacitor Cs 220 pF; 100 V</li> <li>Snubber resistor Rs 220 R; 0.25 W</li> </ul> <p><b>Example 2</b></p> <ul style="list-style-type: none"> <li>Motor choke L1 22 <math>\mu\text{H}</math></li> <li>Filter capacitor Cf 150 pF; 100 V</li> <li>Snubber capacitor Cs 330 pF; 100 V</li> <li>Snubber resistor Rs 390 R; 0.125 W</li> </ul>

Table 5-13 Motherboard Design Guide – Recommended Components

## 5.2 Design Guidelines

The following instructions are intended to serve as an aid for designing an application-specific motherboard and ensuring the correct and reliable integration of the ESCON Module 50/8.

### 5.2.1 Ground

All ground connections (GND) should be internally connected to the ESCON Module 50/8 (equal potential). It is customary to equip the motherboard with a ground plane. All ground connections should be connected to the voltage supply ground via wide conductive tracks.

Pin	Signal	Description
9	Power_GND GND	Ground of operating voltage Ground
10	Power_GND GND	Ground of operating voltage Ground
23	GND	Ground

Table 5-14 Motherboard Design Guide – Grounding

If an earth potential is in place or required, the ground plane should be connected to the earth potential via one or more capacitors. The use of ceramic capacitors with 100 nF and 100 V is recommended.

### 5.2.2 Layout

Guidelines for the layout of the motherboard:

- Connector pins [7] and [8] +V<sub>CC</sub> operating voltage:  
The pins should be connected to the fuse via wide conductive tracks.
- Connector pins [9], [10] and [23] ground:  
All pins should be connected with the ground of the operating voltage via wide conductive tracks.
- The width of the conductive track and the copper coating thickness for supply voltage and motor depend on the current required for the application. A minimum width of 150 mil is recommended for the track and a minimum thickness of 35 μm for the copper coating.

## 5.3 THT Footprint

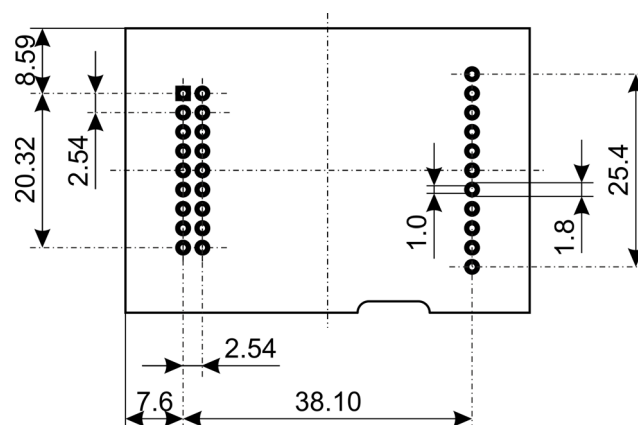


Figure 5-27 THT Footprint [mm] – View from above

### 5.4 Pin Assignment

For detailed specifications →chapter “3.3 Connections” on page 3-15.

### 5.5 Technical Data

For detailed specifications →chapter “2 Specifications” on page 2-7.

### 5.6 Dimensional Drawing

For the dimensional drawing →Figure 2-3 on page 2-11.

### 5.7 ESCON Module 50/8 Motherboard (586048)

As an alternative to the development of a motherboard the «ESCON Module 50/8 Motherboard» (subsequently named ESCON Module 50/8 MoBo) is available. All required connections are already in place and designed as screw-type terminals.

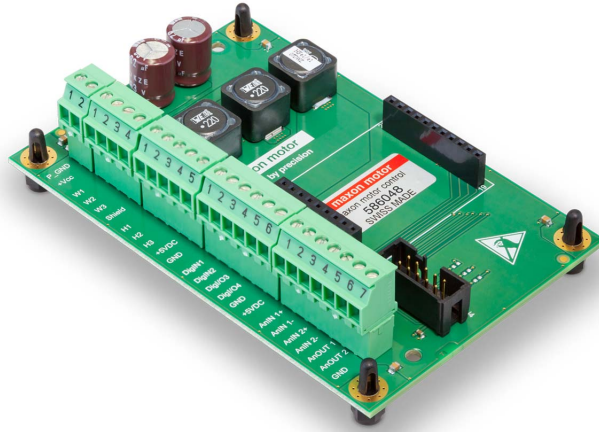


Figure 5-28 ESCON Module 50/8 MoBo

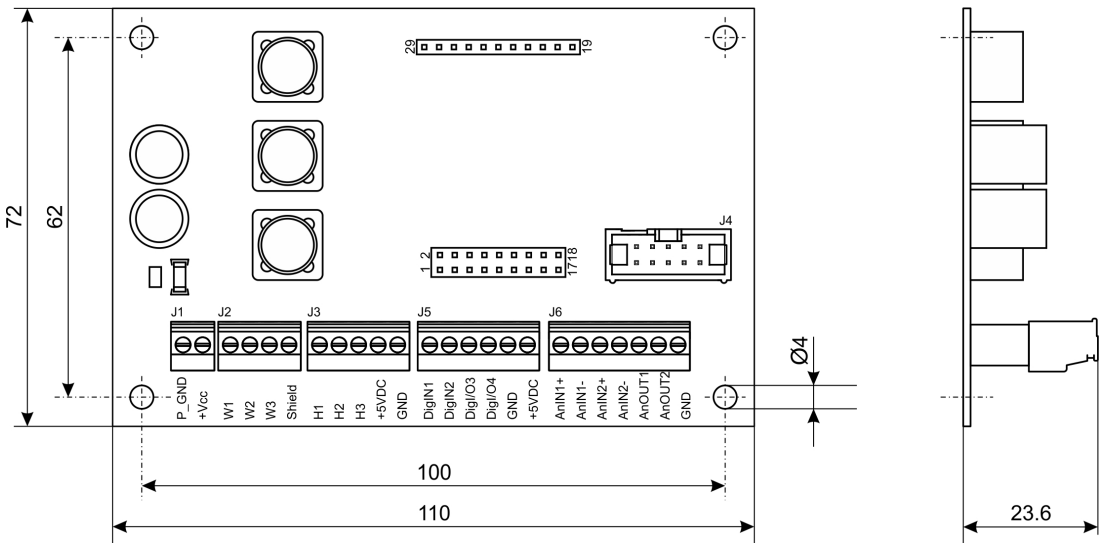


Figure 5-29 ESCON Module 50/8 MoBo – Dimensional Drawing [mm]

**5.7.1 Assembly**

The ESCON Module 50/8 MoBo is designed to easily be screw-mounted or integrated into standard rail systems. For ordering information for the components required →Figure 5-30 (only for illustrative purposes) and →Table 5-15.

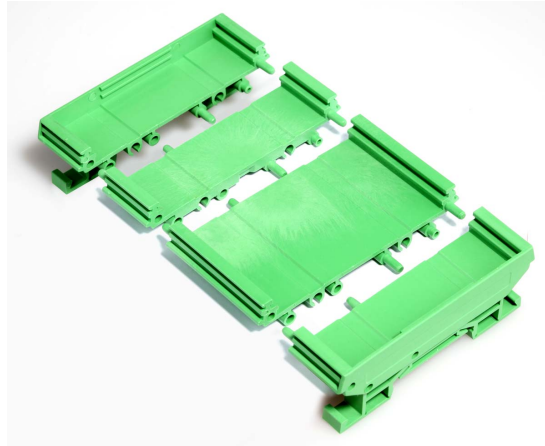


Figure 5-30 ESCON Module 50/8 MoBo – Mounting on DIN Rail

Specification / Accessories	
Adapter for DIN rail	PHOENIX CONTACT 2 x panel mounting base element 11.25 mm UMK-SE11.25-1 (2970442) 2 x base element 45 mm UMK-BE45 (2970015) 2 x foot element UMK-FE (2970031)
	CamdenBoss 2 x end section with foot 22.5 mm (CIME/M/SEF2250S) 1 x base element 22.5 mm (CIME/M/BE2250SS) 1 x base element 45 mm (CIME/M/BE4500SS)

Table 5-15 ESCON Module 50/8 MoBo, mounting on DIN Rail – Specification & Accessories

## 5.7.2 Connections



### Note

The USB interface is located directly at the ESCON Module 50/8.

### 5.7.2.1 Power Supply (J1)



Figure 5-31 ESCON Module 50/8 MoBo – Power Plug J1

J1 Pin	Signal	Description
1	Power_GND	Ground of operating voltage
2	+V <sub>CC</sub>	Nominal operating voltage (+10...+50 VDC)

Table 5-16 ESCON Module 50/8 MoBo – Power Plug J1 – Pin Assignment

Specification / Accessories	
Type	Pluggable screw-type terminal block, 2 poles, 3.5 mm pitch
Suitable cables	0.14...1.5 mm <sup>2</sup> multi-core, AWG 28-14 0.14...1.5 mm <sup>2</sup> single wire, AWG 28-14

Table 5-17 ESCON Module 50/8 MoBo – Power Plug J1 – Specification & Accessories



### 5.7.2.2 Motor (J2)

The servo controller is set to drive either maxon DC motors (brushed) or maxon EC motors (brushless).

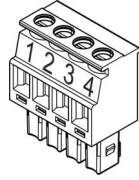


Figure 5-32 ESCON Module 50/8 MoBo – Motor Plug J2

J2 Pin	Signal	Description
1	Motor (+M)	DC motor: Motor +
2	Motor (-M)	DC motor: Motor -
3	not connected	-
4	Motor shield	Cable shield

Table 5-18 ESCON Module 50/8 MoBo – Motor Plug J2 – Pin Assignment for maxon DC motor (brushed)

J2 Pin	Signal	Description
1	Motor winding 1	EC motor: Winding 1
2	Motor winding 2	EC motor: Winding 2
3	Motor winding 3	EC motor: Winding 3
4	Motor shield	Cable shield

Table 5-19 ESCON Module 50/8 MoBo – Motor Plug J2 – Pin Assignment for maxon EC motor (brushless)

Specification / Accessories	
Type	Pluggable screw-type terminal block, 4 poles, 3.5 mm pitch
Suitable cables	0.14...1.5 mm <sup>2</sup> multi-core, AWG 28-14 0.14...1.5 mm <sup>2</sup> single wire, AWG 28-14

Table 5-20 ESCON Module 50/8 MoBo – Motor Plug J2 – Specification & Accessories

### 5.7.2.3 Hall sensor (J3)

Suitable Hall effect sensors IC use «Schmitt trigger» with open collector output.

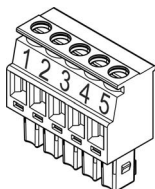


Figure 5-33 ESCON Module 50/8 MoBo – Hall Sensor Plug J3

J3 Pin	Signal	Description
1	Hall sensor 1	Hall sensor 1 input
2	Hall sensor 2	Hall sensor 2 input
3	Hall sensor 3	Hall sensor 3 input
4	+5 VDC	Hall sensor supply voltage (+5 VDC; $I_L \leq 30$ mA)
5	GND	Ground

Table 5-21 ESCON Module 50/8 MoBo – Hall Sensor Plug J3 – Pin Assignment

Specification / Accessories	
Type	Pluggable screw-type terminal block, 5 poles, 3.5 mm pitch
Suitable cables	0.14...1.5 mm <sup>2</sup> multi-core, AWG 28-14 0.14...1.5 mm <sup>2</sup> single wire, AWG 28-14

Table 5-22 ESCON Module 50/8 MoBo – Hall Sensor Plug J3 – Specification & Accessories

5.7.2.4 Encoder (J4)

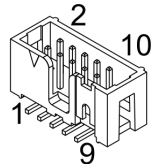


Figure 5-34 ESCON Module 50/8 MoBo – Encoder Socket J4

J4 Pin	Signal	Description
1	not connected	–
2	+5 VDC	Encoder supply voltage (+5 VDC; ≤70 mA)
3	GND	Ground
4	not connected	–
5	Channel A\	Channel A complement
6	Channel A	Channel A
7	Channel B\	Channel B complement
8	Channel B	Channel B
9	not connected	–
10	not connected	–

Table 5-23 ESCON Module 50/8 MoBo – Encoder Socket J4 – Pin Assignment

Accessories		
Suitable strain relief	Retainer	For sockets with strain relief: 1 retainer clip, height 13.5 mm, 3M (3505-8110)
		For sockets without strain relief: 1 retainer clip, height 7.9 mm, 3M (3505-8010)
	Latch	For sockets with strain relief: 2 pieces, 3M (3505-33B)

Table 5-24 ESCON Module 50/8 MoBo – Encoder Socket J4 – Accessories

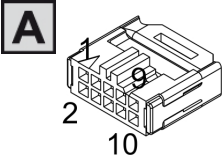
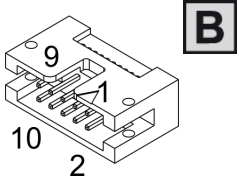
Encoder Cable (275934)	
	
Cable cross-section	10 x AWG28, round-jacket, twisted pair flat cable, 1.27 mm pitch
Length	3.20 m
Head A	DIN 41651 female, 2.54 mm pitch, 10 pins, with strain relief
Head B	DIN 41651 connector, 2.54 mm pitch, 10 poles, with strain relief

Table 5-25 ESCON Module 50/8 MoBo – Encoder Cable



**Best practice**

- Because of its resistance against electrical interferences, **we recommend using differential scheme**. Nevertheless, the controller supports both schemes – differential and single-ended.
- The controller does not require an index impulse (Ch I, Ch II).
- For best performance, **we strongly recommend using encoders with line driver**. Otherwise, speed limitations may apply due to slow switching edges.

5.7.2.5 Digital I/Os (J5)

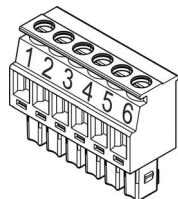


Figure 5-35 ESCON Module 50/8 MoBo – Digital I/Os Plug J5

J5 Pin	Signal	Description
1	DigIN1	Digital input 1
2	DigIN2	Digital input 2
3	DigIN/DigOUT3	Digital input/output 3
4	DigIN/DigOUT4	Digital input/output 4
5	GND	Ground
6	+5 VDC	Auxiliary output voltage (+5 VDC; ≤10 mA)

Table 5-26 ESCON Module 50/8 MoBo – Digital I/Os Plug J5 – Pin Assignment

Specification / Accessories	
Type	Pluggable screw-type terminal block, 6 poles, 3.5 mm pitch
Suitable cables	0.14...1.5 mm <sup>2</sup> multi-core, AWG 28-14 0.14...1.5 mm <sup>2</sup> single wire, AWG 28-14

Table 5-27 ESCON Module 50/8 MoBo – Digital I/Os Plug J5 – Specification & Accessories

### 5.7.2.6 Analog I/Os (J6)

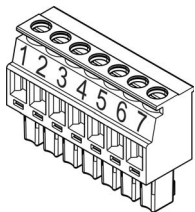


Figure 5-36 ESCON Module 50/8 MoBo – Analog I/Os Plug J6

J6 Pin	Signal	Description
1	AnIN1+	Analog input 1, positive signal
2	AnIN1-	Analog input 1, negative signal
3	AnIN2+	Analog input 2, positive signal
4	AnIN2-	Analog input 2, negative signal
5	AnOUT1	Analog output 1
6	AnOUT2	Analog output 2
7	GND	Ground

Table 5-28 ESCON Module 50/8 MoBo – Analog I/Os Plug J6 – Pin Assignment

Specification / Accessories	
Type	Pluggable screw-type terminal block, 7 poles, 3.5 mm pitch
Suitable cables	0.14...1.5 mm <sup>2</sup> multi-core, AWG 28-14 0.14...1.5 mm <sup>2</sup> single wire, AWG 28-14

Table 5-29 ESCON Module 50/8 MoBo – Analog I/Os Plug J6 – Specification & Accessories

5.7.3 Wiring



**Note**  
 The USB interface is located directly at the ESCON Module 50/8.



**Note**  
 The subsequent diagrams feature this symbol:

- Ground safety earth connection (optional)

5.7.3.1 DC Motors

MAXON DC MOTOR

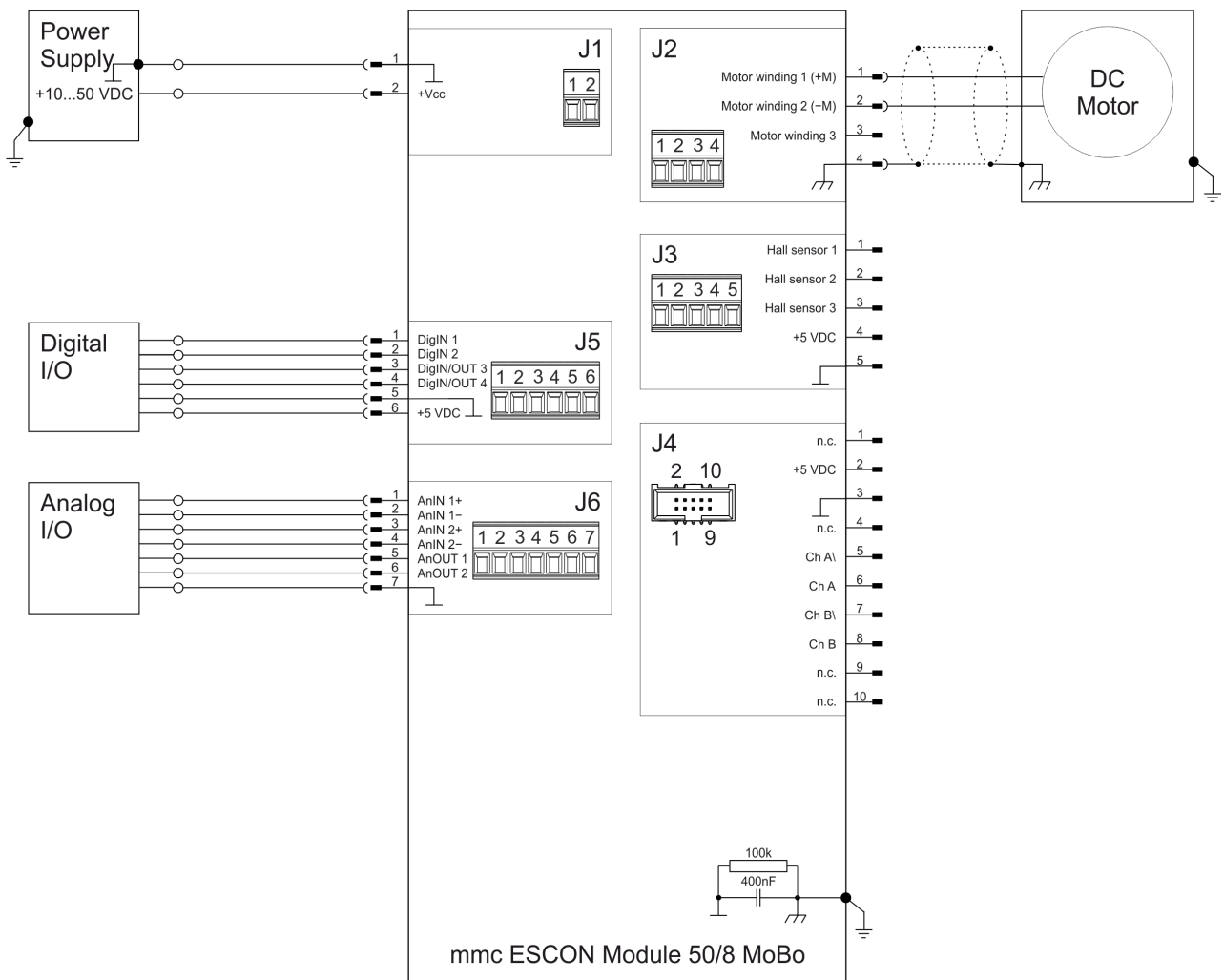


Figure 5-37 ESCON Module 50/8 MoBo – maxon DC motor (J2)

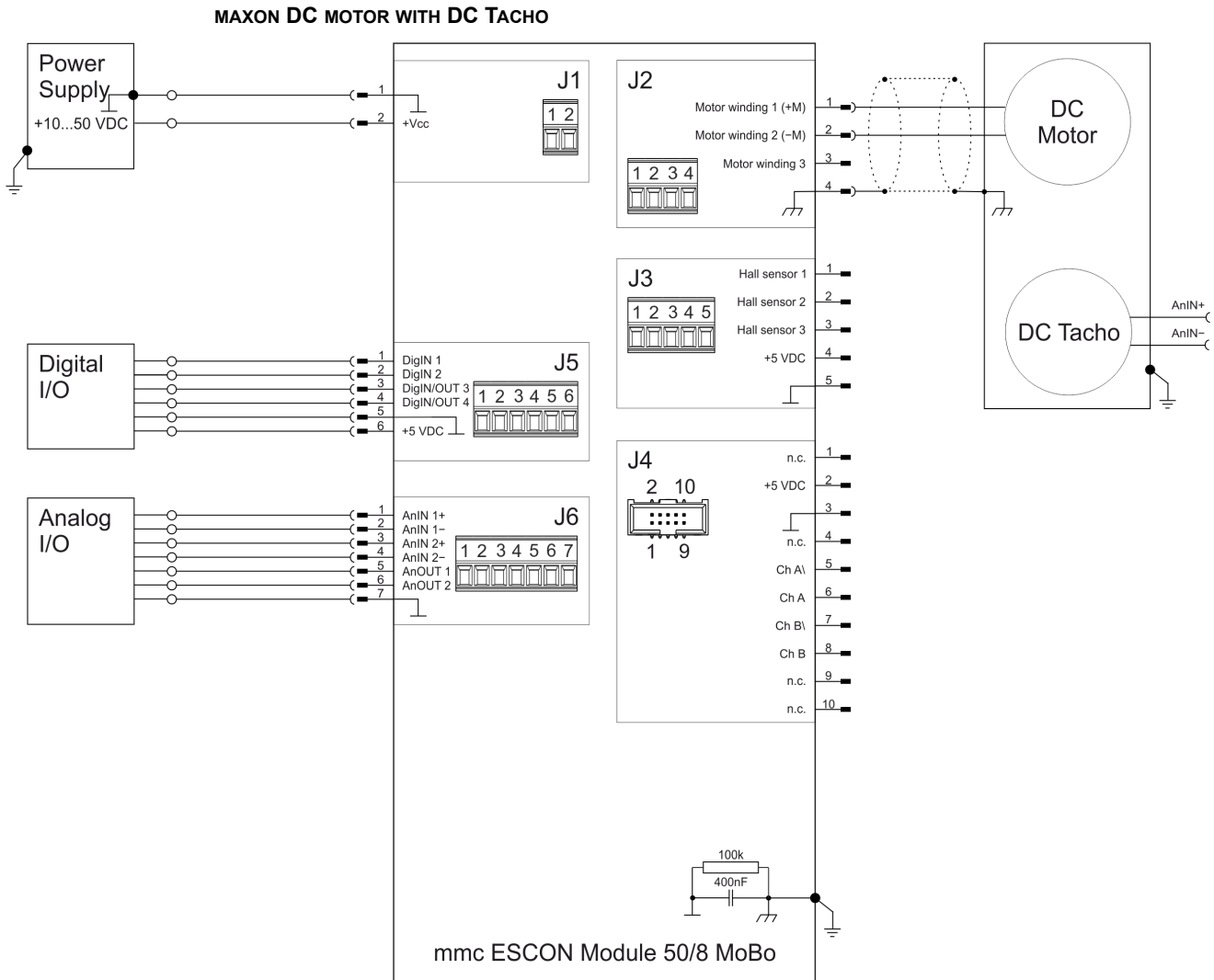


Figure 5-38 ESCON Module 50/8 MoBo – maxon DC motor with DC Tacho (J2)



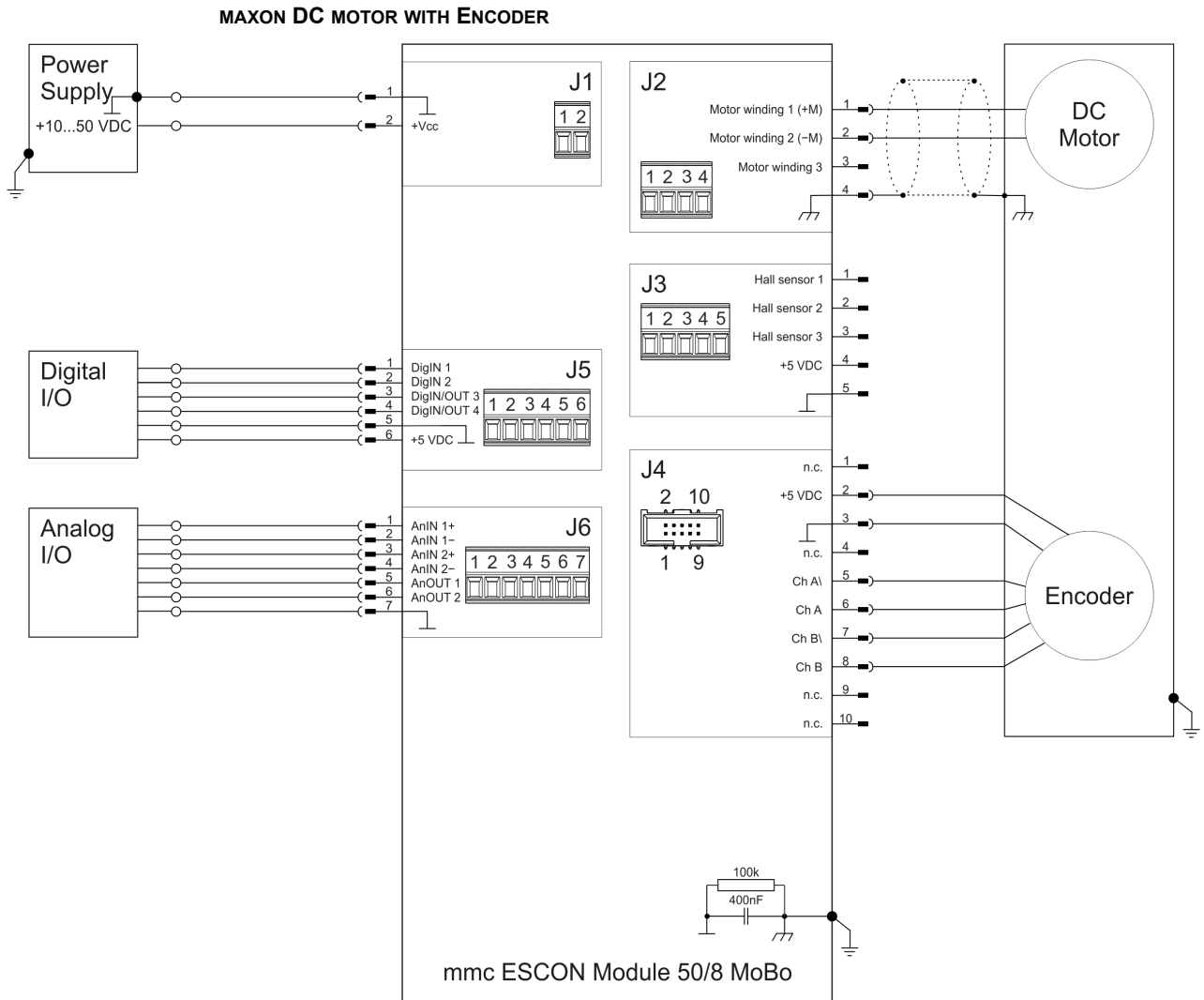


Figure 5-39 ESCON Module 50/8 MoBo – maxon DC motor with Encoder (J2 / J4)

### 5.7.3.2 EC motors

#### MAXON EC MOTOR WITH HALL SENSORS

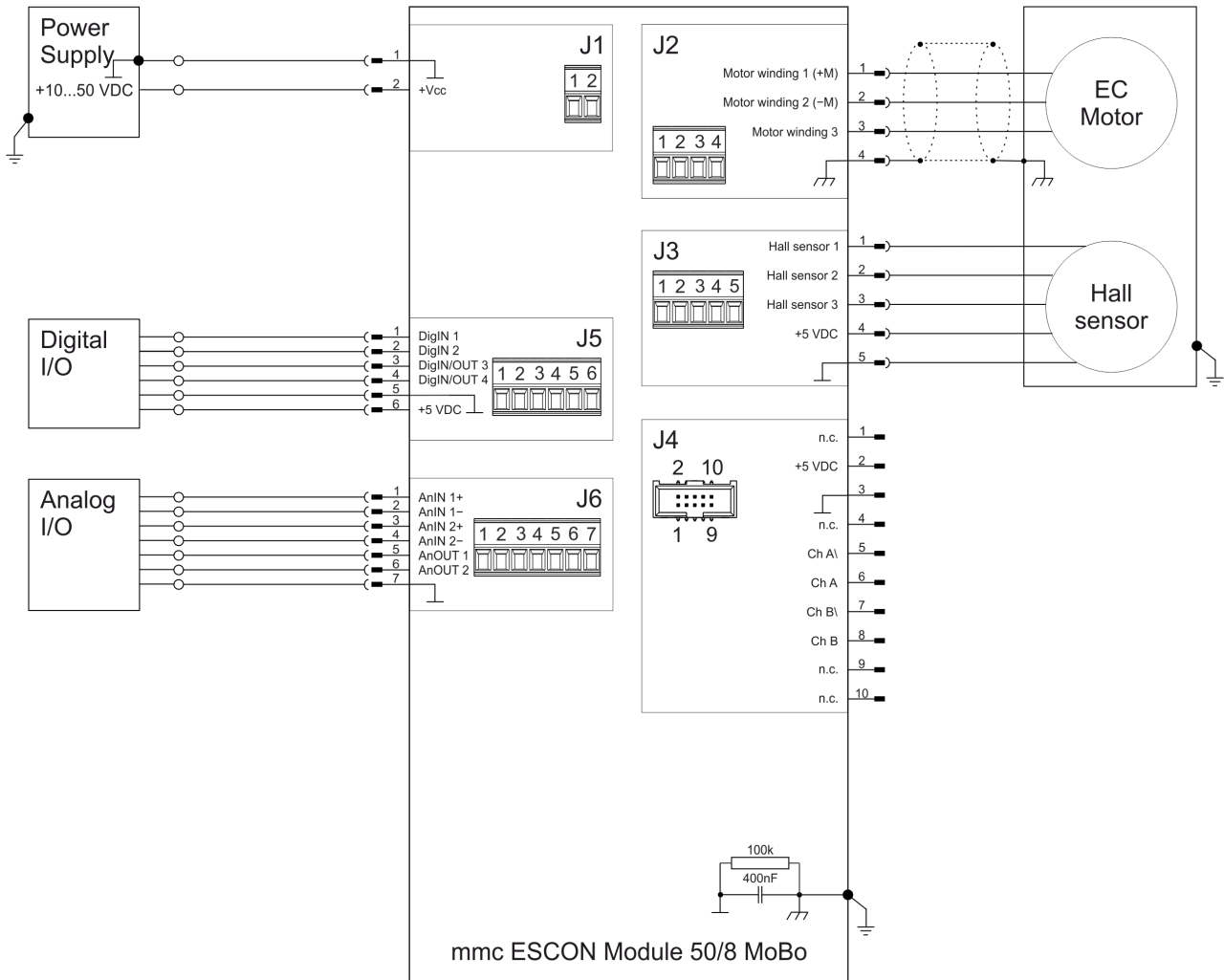


Figure 5-40 ESCON Module 50/8 MoBo – maxon EC motor with Hall Sensors (J2 / J3)

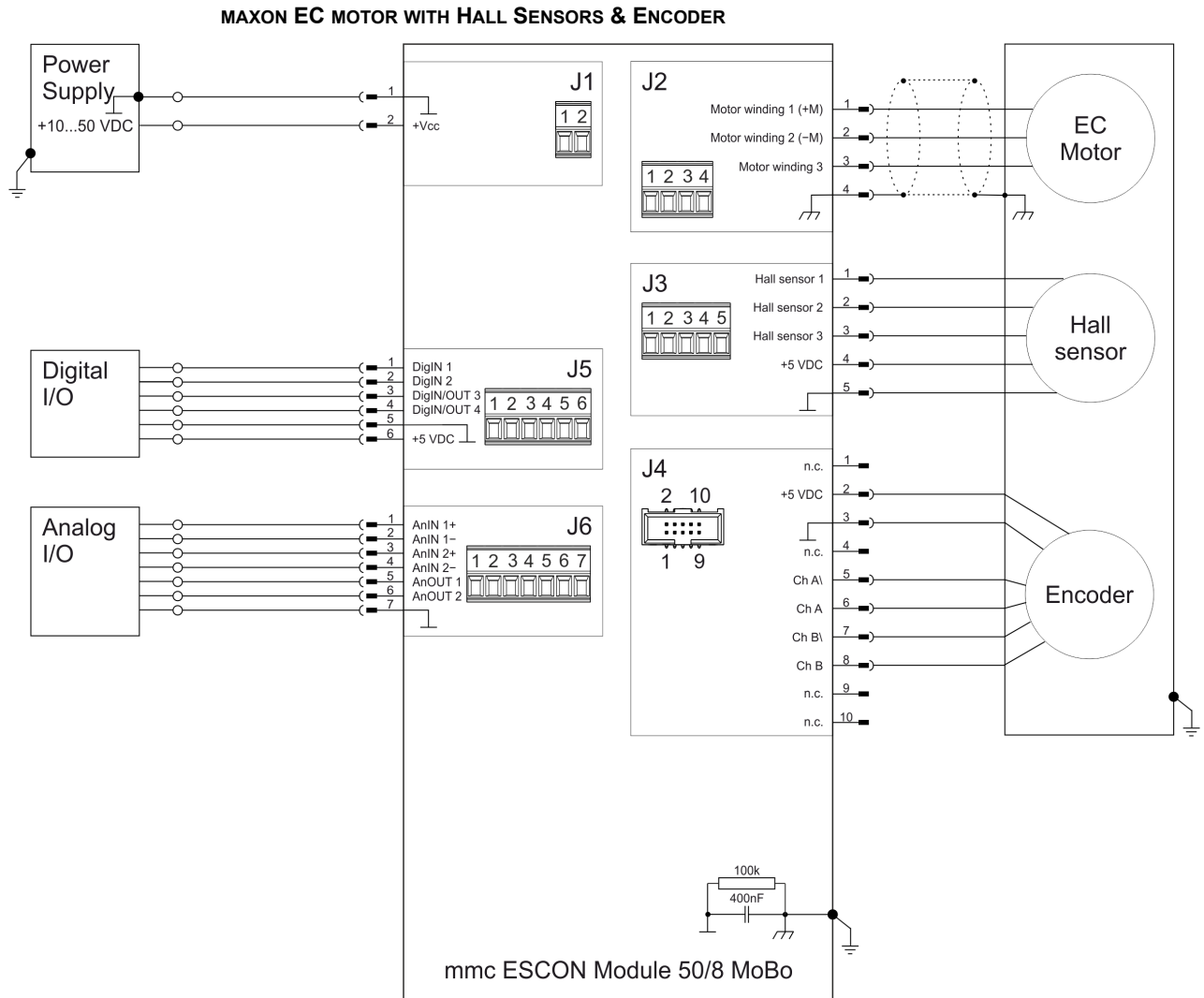


Figure 5-41 ESCON Module 50/8 MoBo – maxon EC motor with Hall Sensors & Encoders (J2 / J3 / J4)

## 5.8 Spare Parts

Order number	Description
444144	2-pole pluggable screw-type terminal block, 3.5 mm pitch, labeled 1...2
444145	4-pole pluggable screw-type terminal block, 3.5 mm pitch, labeled 1...4
444146	5-pole pluggable screw-type terminal block, 3.5 mm pitch, labeled 1...5
444147	6-pole pluggable screw-type terminal block, 3.5 mm pitch, labeled 1...6
444148	7-pole pluggable screw-type terminal block, 3.5 mm pitch, labeled 1...7

Table 5-30 Spare Parts List

## LIST OF FIGURES

Figure 2-1	Power Dissipation and Efficiency	9
Figure 2-2	Derating Ambient Temperature / required Heat Sink	9
Figure 2-3	ESCON Module 50/8 – Dimensional Drawing [mm]	11
Figure 2-4	ESCON Module 50/8 HE – Dimensional Drawing [mm]	11
Figure 3-5	Pin Assignment	15
Figure 3-6	Pin Assignment	16
Figure 3-7	Hall Sensor 1 Input Circuit (analogously valid also for Hall Sensors 2 & 3)	17
Figure 3-8	Encoder Input Circuit Ch A “Differential” (analogously valid also for Ch B)	18
Figure 3-9	Encoder Input Circuit Ch A “Single-ended” (analogously valid also for Ch B)	19
Figure 3-10	DigIN1 Circuit	20
Figure 3-11	DigIN2 Circuit	21
Figure 3-12	DigIN3 Circuit (analogously valid also for DigIN4)	21
Figure 3-13	DigOUT3 Circuit (analogously valid also for DigOUT4)	22
Figure 3-14	DigOUT3 Wiring Examples (analogously valid also for DigOUT4)	22
Figure 3-15	AnIN1 Circuit (analogously valid also for AnIN2)	23
Figure 3-16	AnOUT1 Circuit (analogously valid also for AnOUT2)	23
Figure 3-17	USB Socket J7	24
Figure 3-18	LEDs – Location	26
Figure 4-19	Interfaces – Designations and Location	27
Figure 4-20	maxon DC motor	27
Figure 4-21	maxon DC motor with DC Tacho	28
Figure 4-22	maxon DC motor with Encoder	29
Figure 4-23	maxon EC motor with Hall Sensors	30
Figure 4-24	maxon EC motor with Hall Sensors & Encoder	31
Figure 5-25	Wiring of Voltage Supply Cable	34
Figure 5-26	Wiring of Motor Winding 1 (analogously valid also for Motor Windings 2 & 3)	35
Figure 5-27	THT Footprint [mm] – View from above	37
Figure 5-28	ESCON Module 50/8 MoBo	38
Figure 5-29	ESCON Module 50/8 MoBo – Dimensional Drawing [mm]	38
Figure 5-30	ESCON Module 50/8 MoBo – Mounting on DIN Rail	39
Figure 5-31	ESCON Module 50/8 MoBo – Power Plug J1	40
Figure 5-32	ESCON Module 50/8 MoBo – Motor Plug J2	41
Figure 5-33	ESCON Module 50/8 MoBo – Hall Sensor Plug J3	42
Figure 5-34	ESCON Module 50/8 MoBo – Encoder Socket J4	43
Figure 5-35	ESCON Module 50/8 MoBo – Digital I/Os Plug J5	45
Figure 5-36	ESCON Module 50/8 MoBo – Analog I/Os Plug J6	46
Figure 5-37	ESCON Module 50/8 MoBo – maxon DC motor (J2)	47
Figure 5-38	ESCON Module 50/8 MoBo – maxon DC motor with DC Tacho (J2)	48
Figure 5-39	ESCON Module 50/8 MoBo – maxon DC motor with Encoder (J2 / J4)	49

Figure 5-40	ESCON Module 50/8 MoBo – maxon EC motor with Hall Sensors (J2 / J3) . . . . .	50
Figure 5-41	ESCON Module 50/8 MoBo – maxon EC motor with Hall Sensors & Encoders (J2 / J3 / J4) . . . . .	51

## LIST OF TABLES

Table 1-1	Notation used	3
Table 1-2	Symbols & Signs	4
Table 1-3	Brand Names and Trademark Owners	4
Table 2-4	Technical Data	8
Table 2-5	Heat Sink – Specification & Accessories	10
Table 2-6	Limitations	10
Table 2-7	Standards	12
Table 3-8	Pin Assignment (Pins 1-18)	15
Table 3-9	Pin Assignment (Pins 19-29)	16
Table 3-10	USB Socket J7 – Pin Assignment & Cabling	24
Table 3-11	USB Type A - micro B Cable	24
Table 3-12	LEDs – Interpretation of Condition	26
Table 5-13	Motherboard Design Guide – Recommended Components	36
Table 5-14	Motherboard Design Guide – Grounding	37
Table 5-15	ESCON Module 50/8 MoBo, mounting on DIN Rail – Specification & Accessories	39
Table 5-16	ESCON Module 50/8 MoBo – Power Plug J1 – Pin Assignment	40
Table 5-17	ESCON Module 50/8 MoBo – Power Plug J1 – Specification & Accessories	40
Table 5-18	ESCON Module 50/8 MoBo – Motor Plug J2 – Pin Assignment for maxon DC motor (brushed)	41
Table 5-19	ESCON Module 50/8 MoBo – Motor Plug J2 – Pin Assignment for maxon EC motor (brushless)	41
Table 5-20	ESCON Module 50/8 MoBo – Motor Plug J2 – Specification & Accessories	41
Table 5-21	ESCON Module 50/8 MoBo – Hall Sensor Plug J3 – Pin Assignment	42
Table 5-22	ESCON Module 50/8 MoBo – Hall Sensor Plug J3 – Specification & Accessories	42
Table 5-23	ESCON Module 50/8 MoBo – Encoder Socket J4 – Pin Assignment	43
Table 5-24	ESCON Module 50/8 MoBo – Encoder Socket J4 – Accessories	43
Table 5-25	ESCON Module 50/8 MoBo – Encoder Cable	44
Table 5-26	ESCON Module 50/8 MoBo – Digital I/Os Plug J5 – Pin Assignment	45
Table 5-27	ESCON Module 50/8 MoBo – Digital I/Os Plug J5 – Specification & Accessories	45
Table 5-28	ESCON Module 50/8 MoBo – Analog I/Os Plug J6 – Pin Assignment	46
Table 5-29	ESCON Module 50/8 MoBo – Analog I/Os Plug J6 – Specification & Accessories	46
Table 5-30	Spare Parts List	52

**INDEX****A**

additionally applicable regulations 6  
analog inputs 23  
applicable EU directive 13  
assignment of the connections 15

**C**

cables (prefab)  
Encoder Cable 44  
USB Type A - micro B Cable 24  
country-specific regulations 6

**D**

digital inputs 20, 21

**E**

error display 26  
ESCON Module 50/8 Heat Sink 10  
ESCON Module 50/8 Thermal Pad 10  
ESD 6  
EU directive, applicable 13

**H**

how to  
calculate required supply voltage 14  
interpret icons (and signs) used in the document 4  
support for designing the motherboard 33

**I**

incorporation into surrounding system 13  
informatory signs 4  
intended purpose  
of the device 5  
of this document 3  
interfaces, location and designation 27

**L**

LEDs 26

**M**

mandatory action signs 4  
MoBo (ESCON Module 50/8 Motherboard) 38

**N**

notations used 3

**O**

operating license 13  
operating status, display 26  
order numbers  
275934 44  
403968 24  
444144 52  
444145 52  
444146 52  
444147 52  
444148 52  
532872 7  
586048 38  
586137 7  
586141 10  
586142 10

**P**

performance data 7  
pin assignment 15  
precautions 6  
prerequisites prior installation 13  
prohibitive signs 4  
purpose  
of the device 5

**R**

regulations, additionally applicable 6

**S**

safety alerts 4  
safety first! 6  
signs used 4  
sockets  
J1 40  
J2 41  
J3 42  
J4 18, 43  
J5 45  
J6 46  
J7 24  
standards, fulfilled 12  
status display 26  
status LEDs 26  
supply voltage, required 14  
symbols used 4

**T**

technical data 7  
thermal pad, see «ESCON Module 50/8 Thermal Pad»



## U

USB interface 24

## W

wiring diagrams for

DC motors 27, 47

EC motors 30, 50

© 2020 maxon. All rights reserved.

The present document – including all parts thereof – is protected by copyright. Any use (including reproduction, translation, micro-filming, and other means of electronic data processing) beyond the narrow restrictions of the copyright law is not permitted without the prior approval of maxon and will be subject to prosecution under the applicable law.

maxon motor ag  
Brünigstrasse 220  
CH-6072 Sachseln  
Switzerland

+41 41 666 15 00

[www.maxongroup.com](http://www.maxongroup.com)